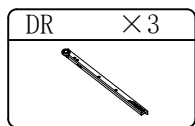
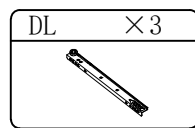
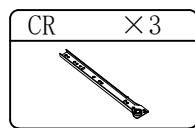
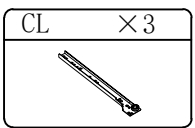
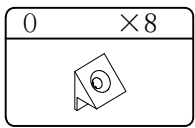
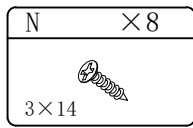
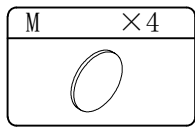
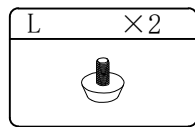
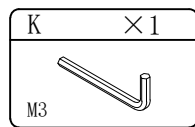
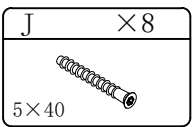
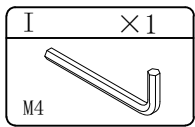
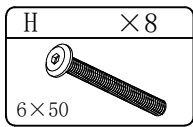
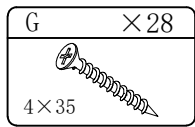
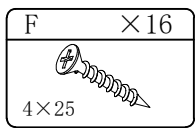
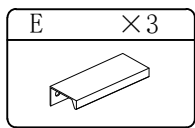
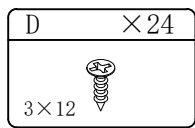
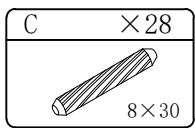
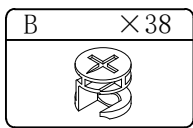
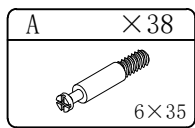
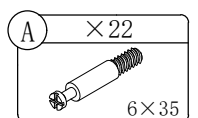
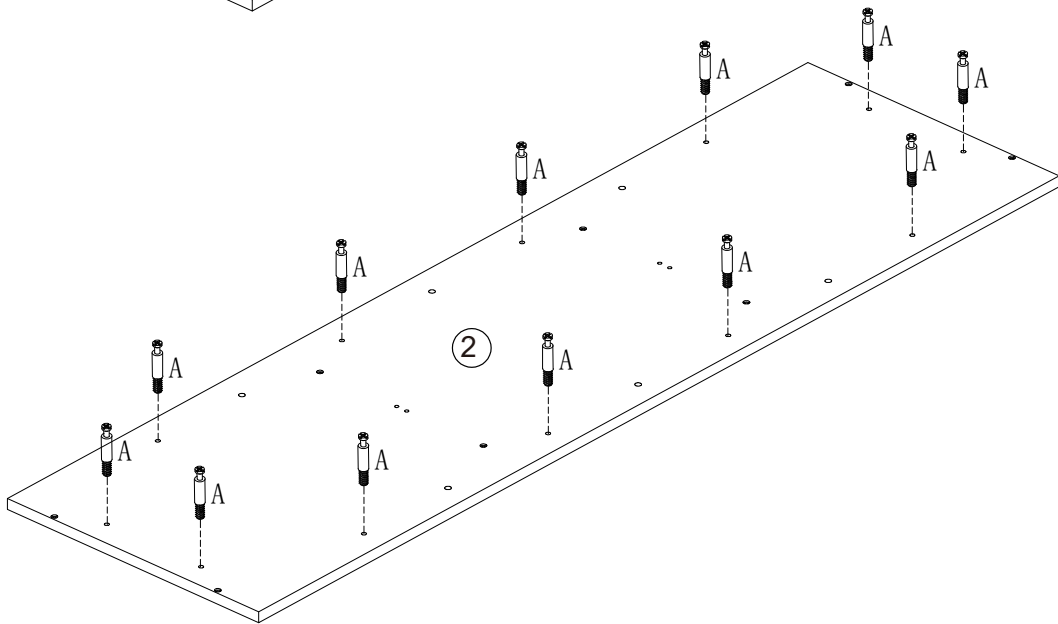
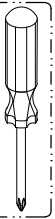
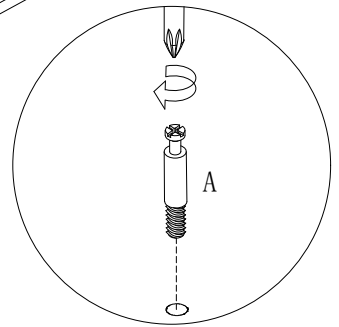
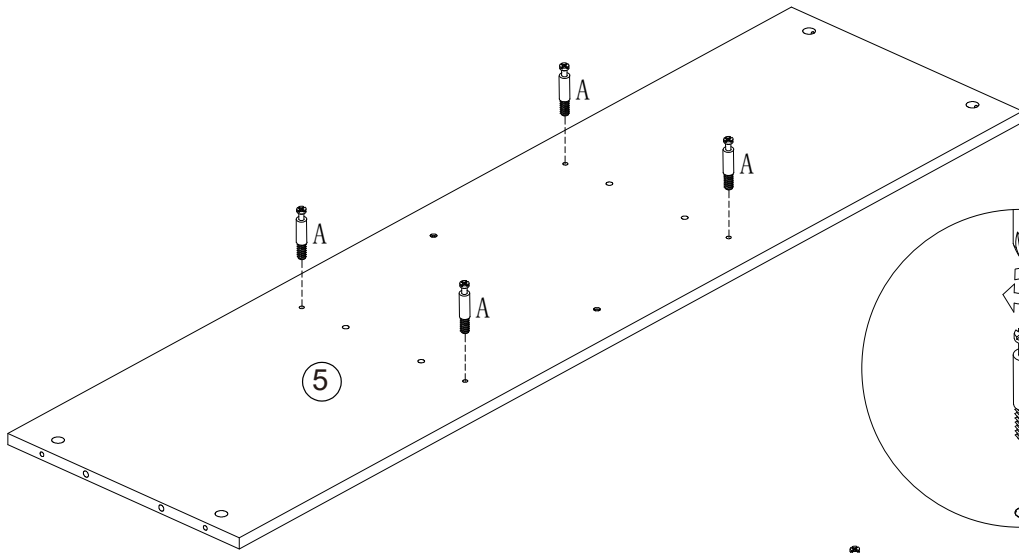
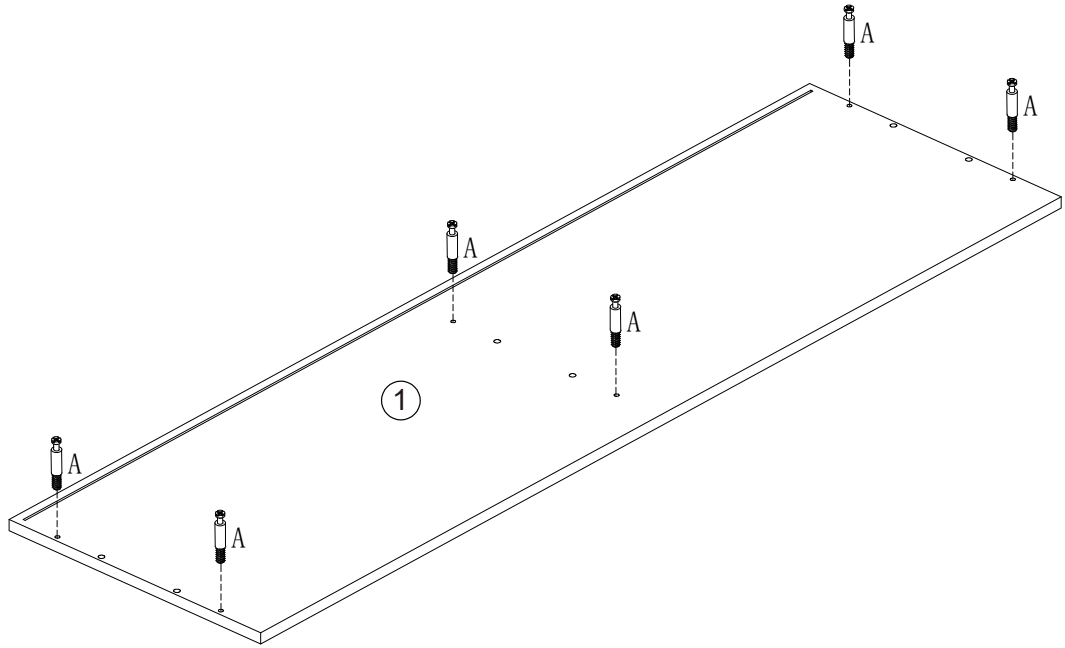


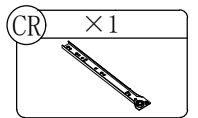
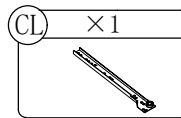
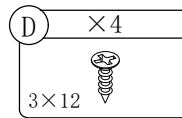
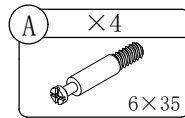
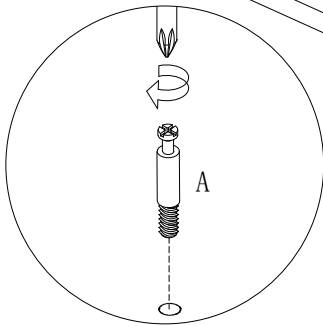
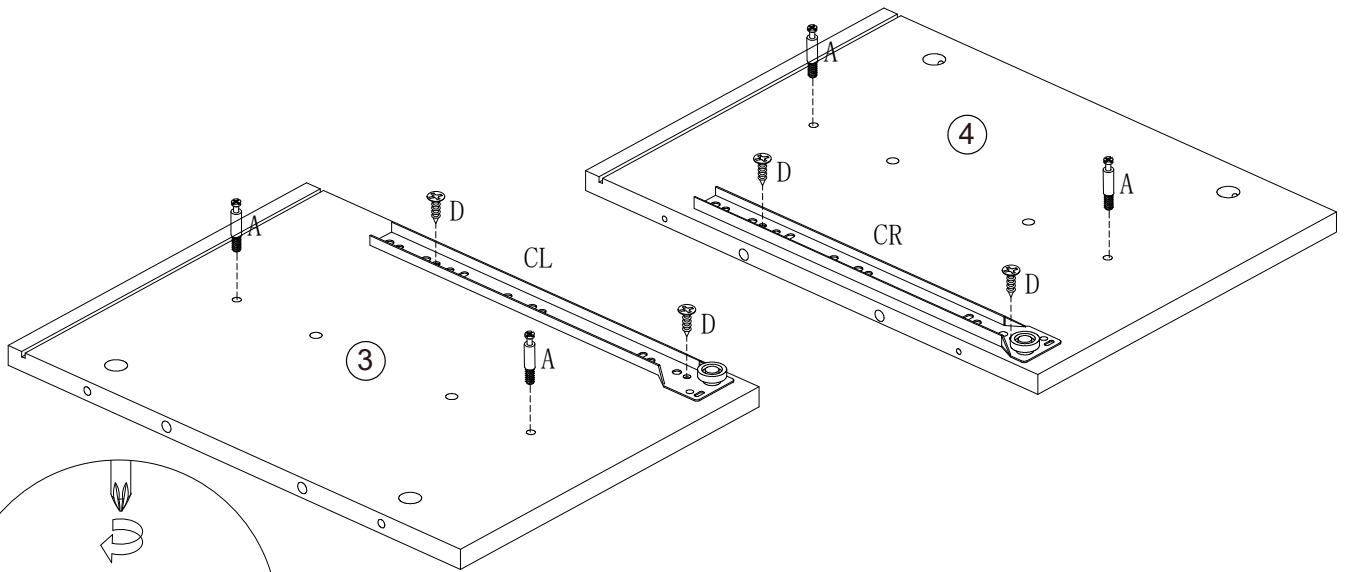
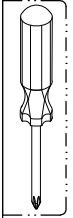
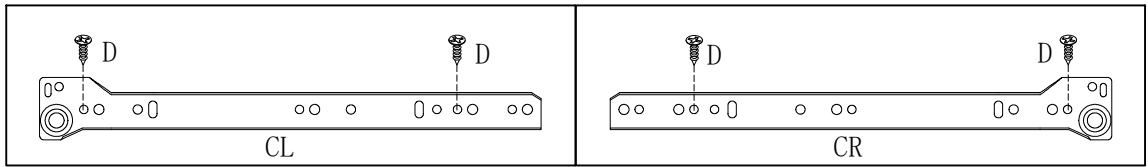
× 3



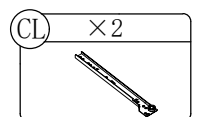
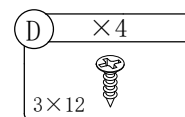
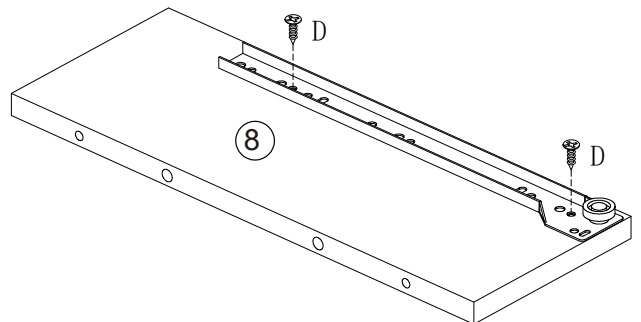
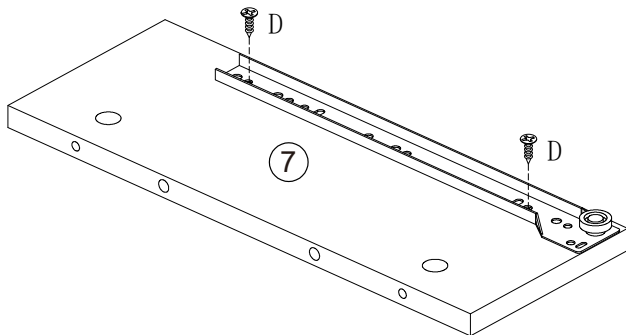
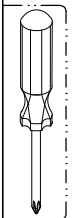
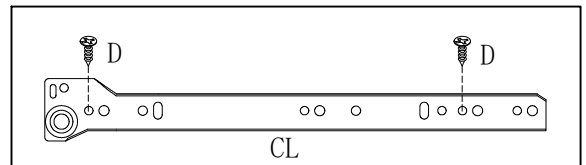
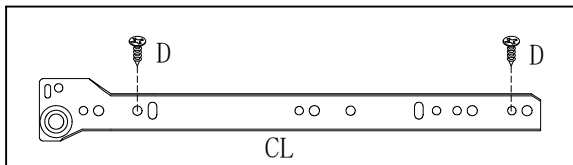
1



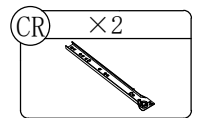
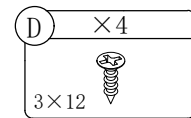
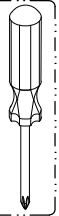
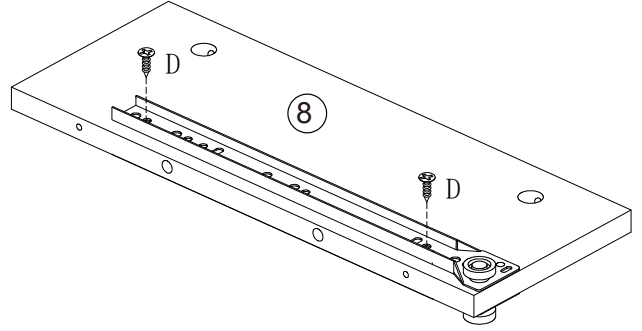
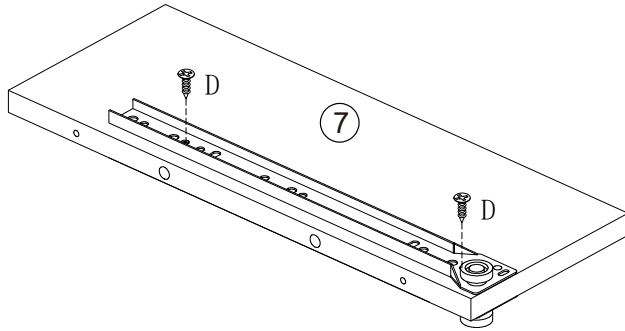
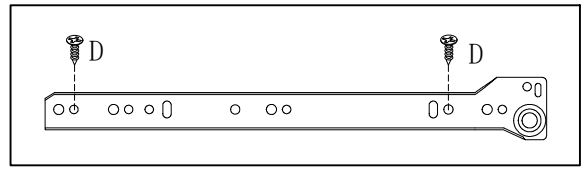
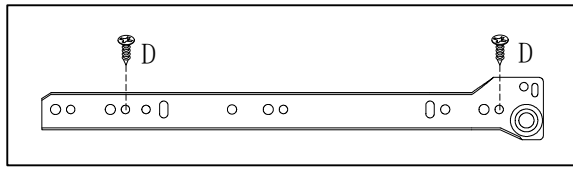
2



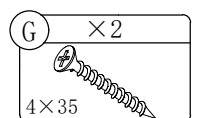
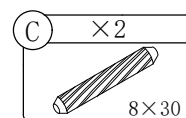
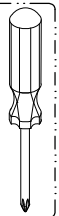
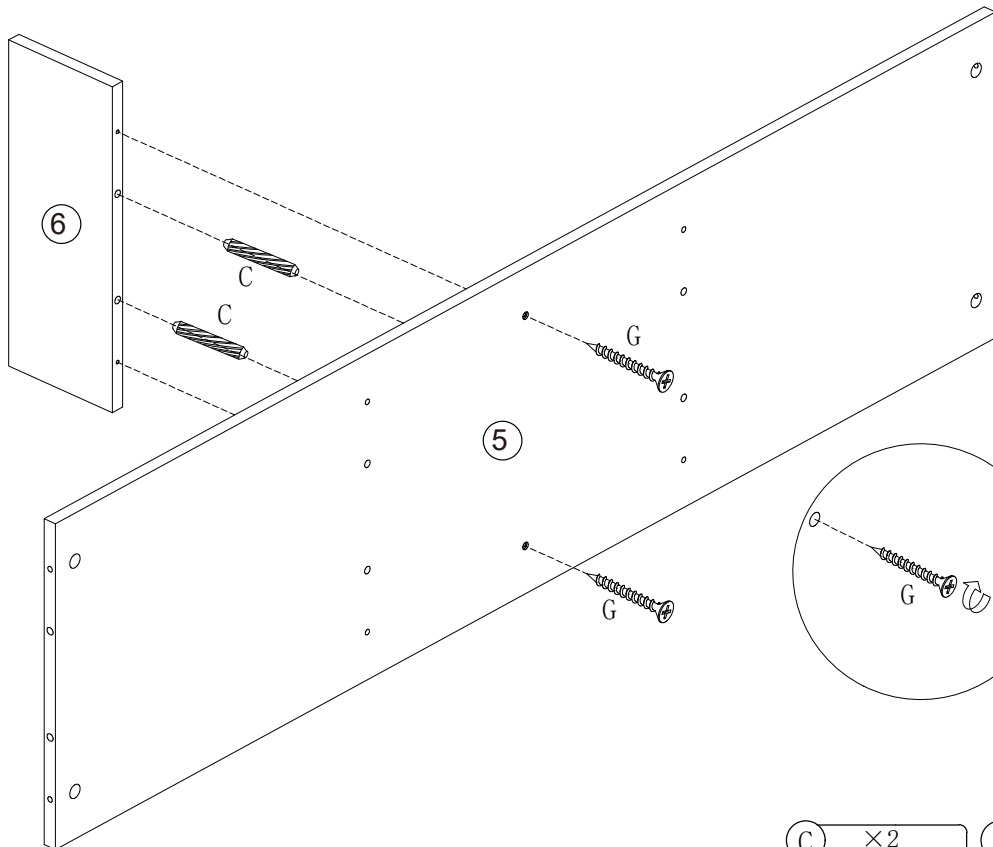
3



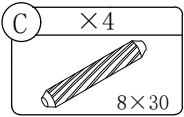
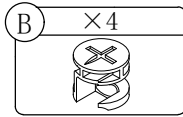
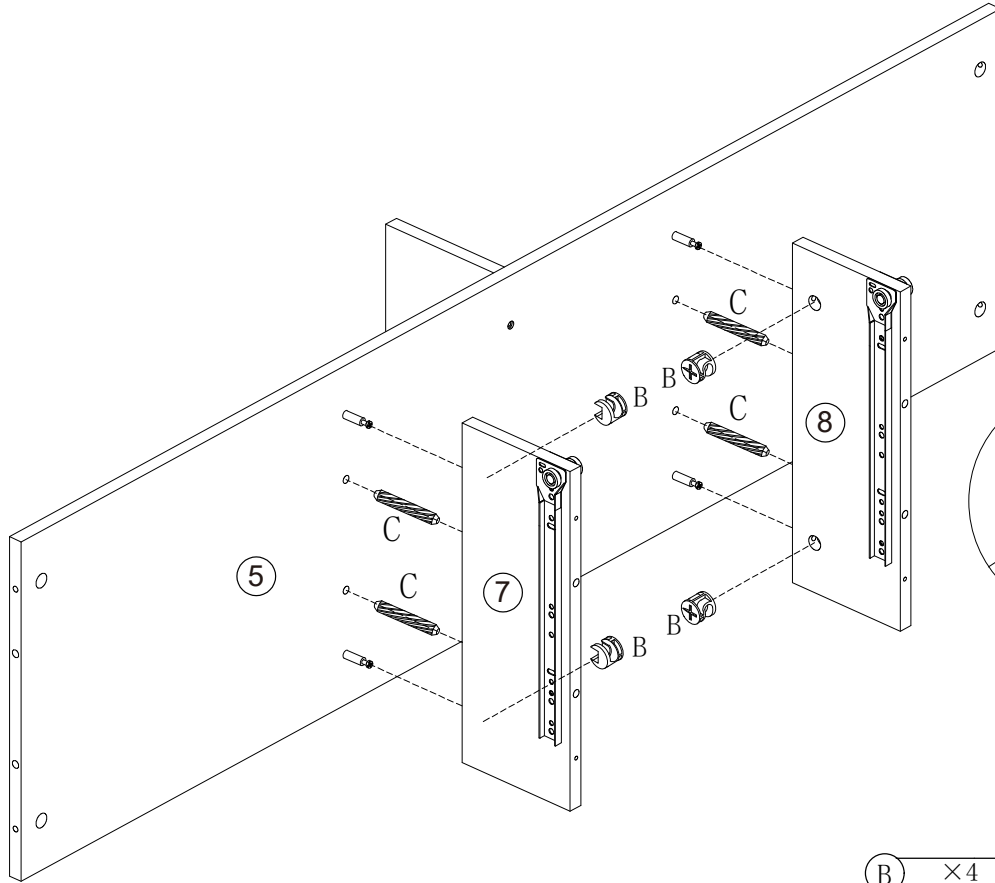
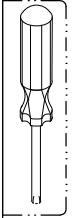
4



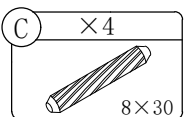
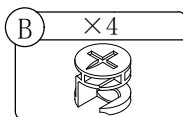
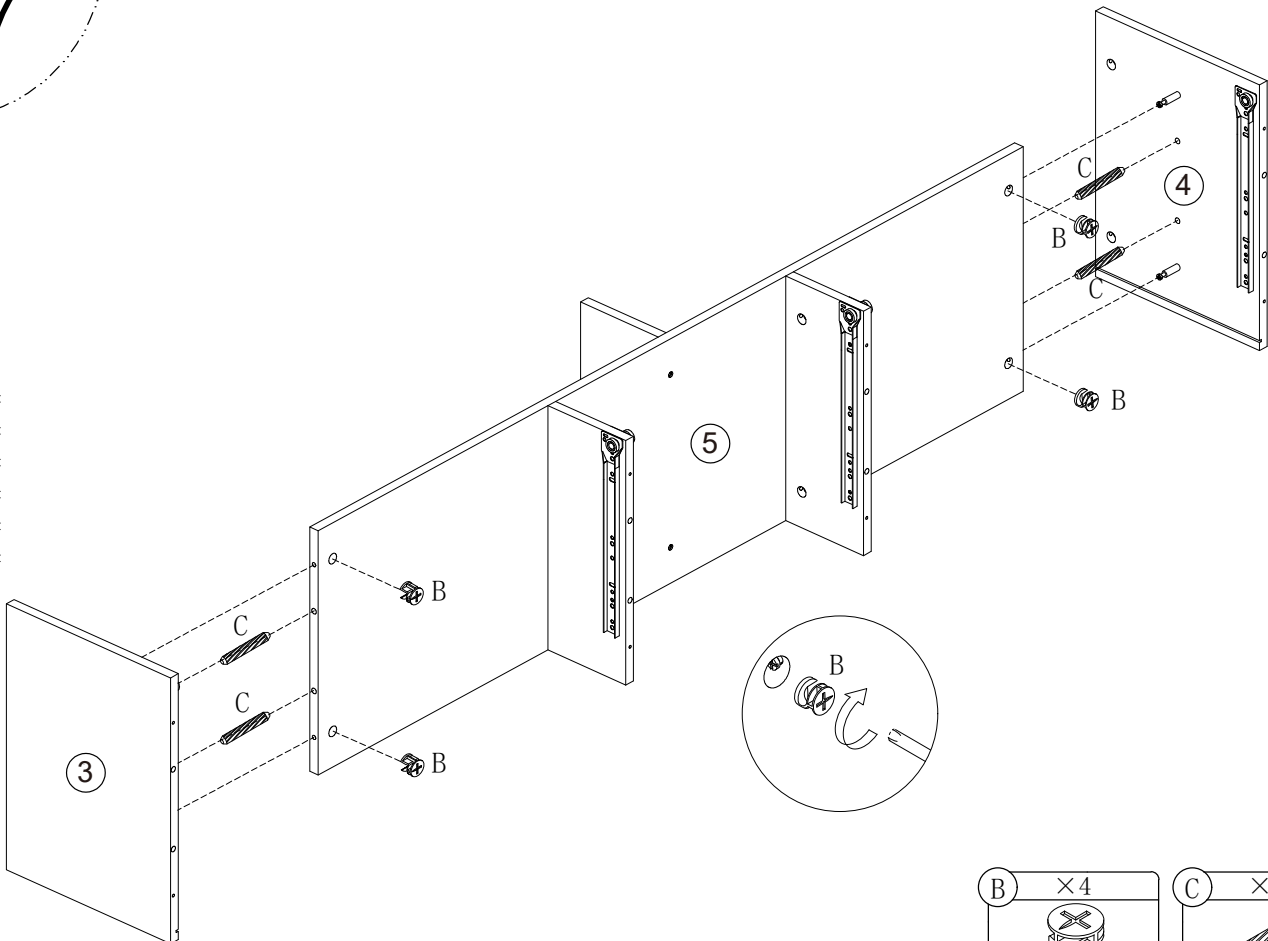
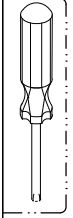
5



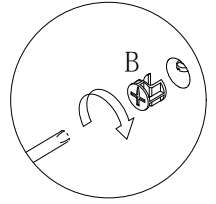
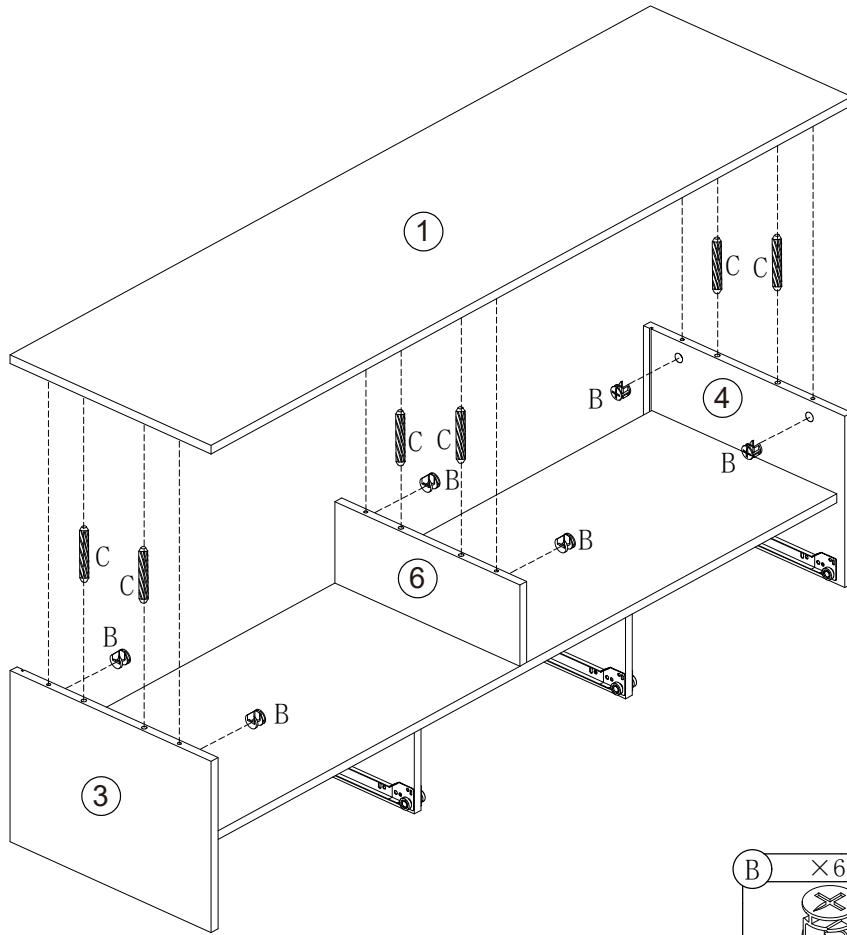
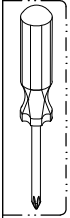
6





7

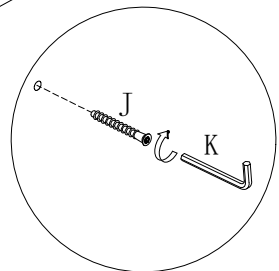
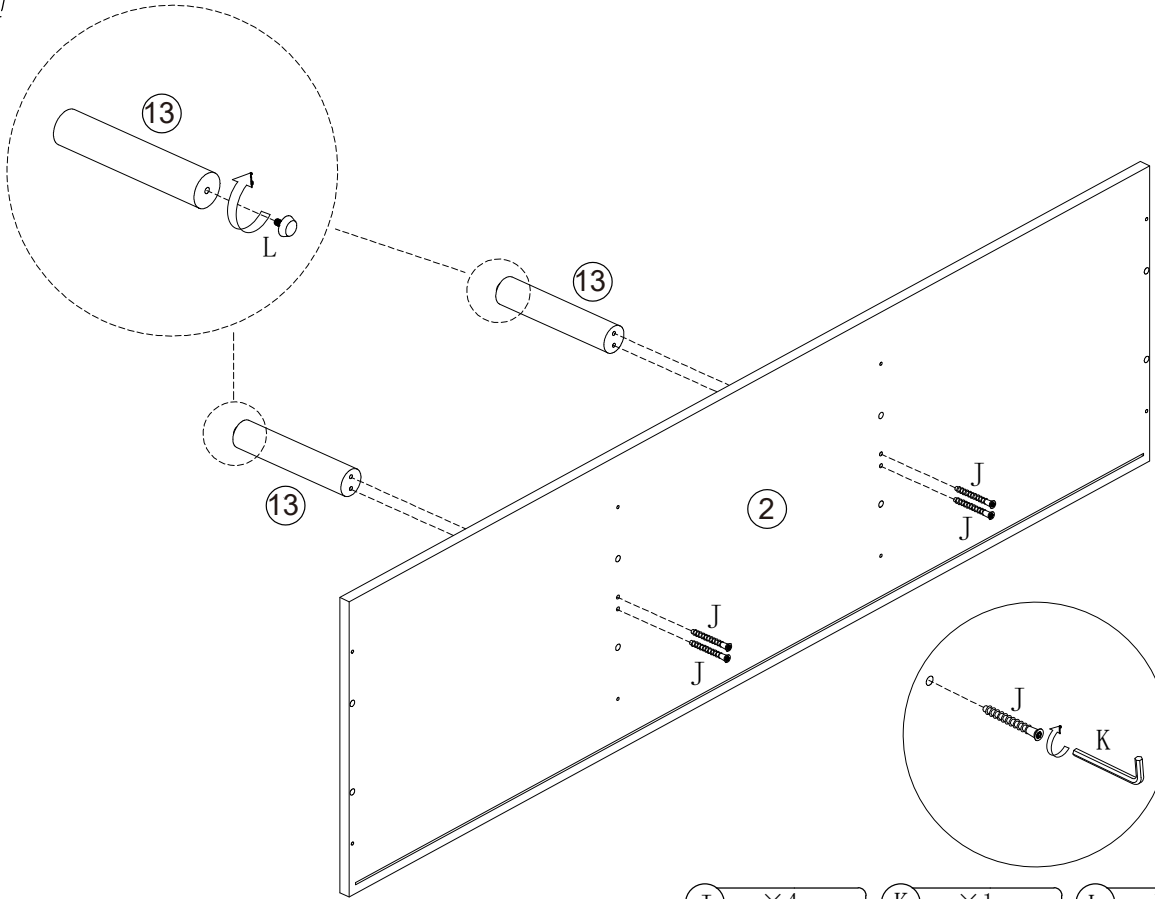
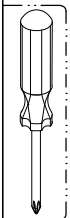


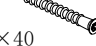


8



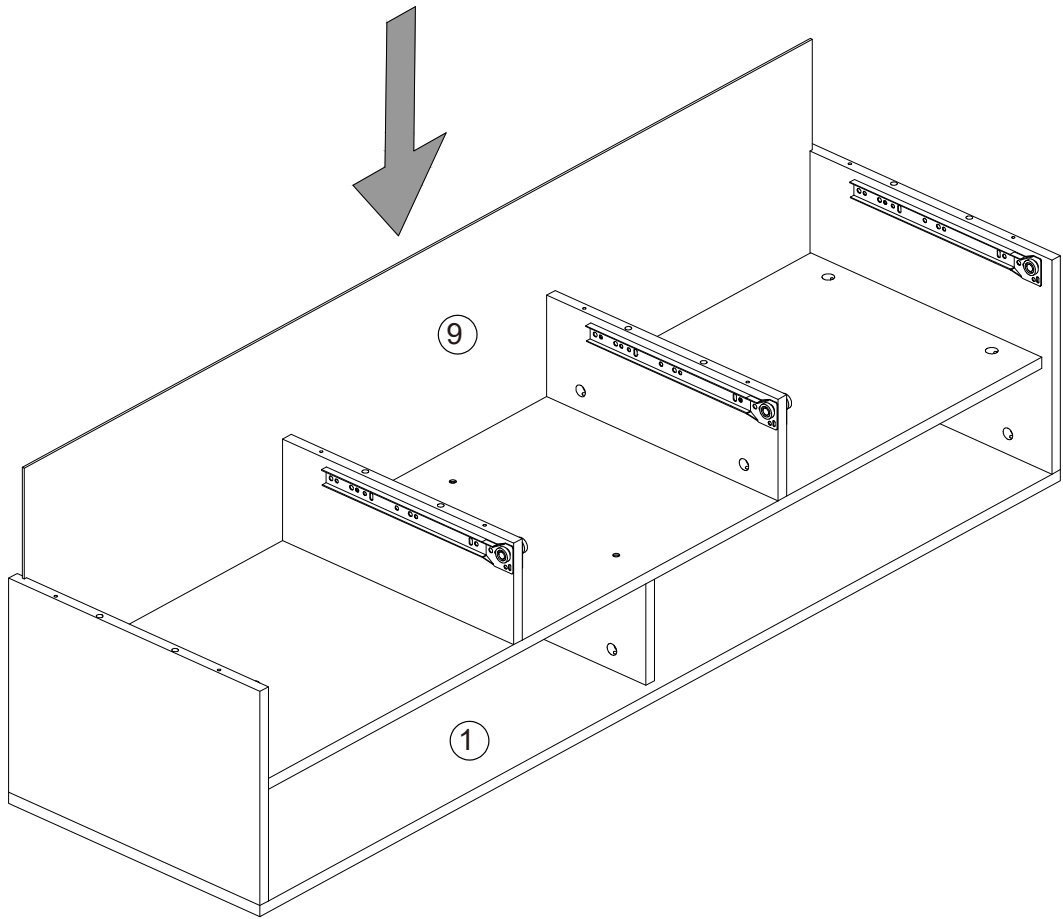
B	×6	C	×6
		 8×30	

9

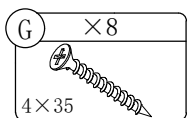
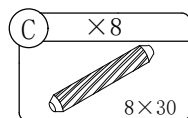
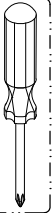
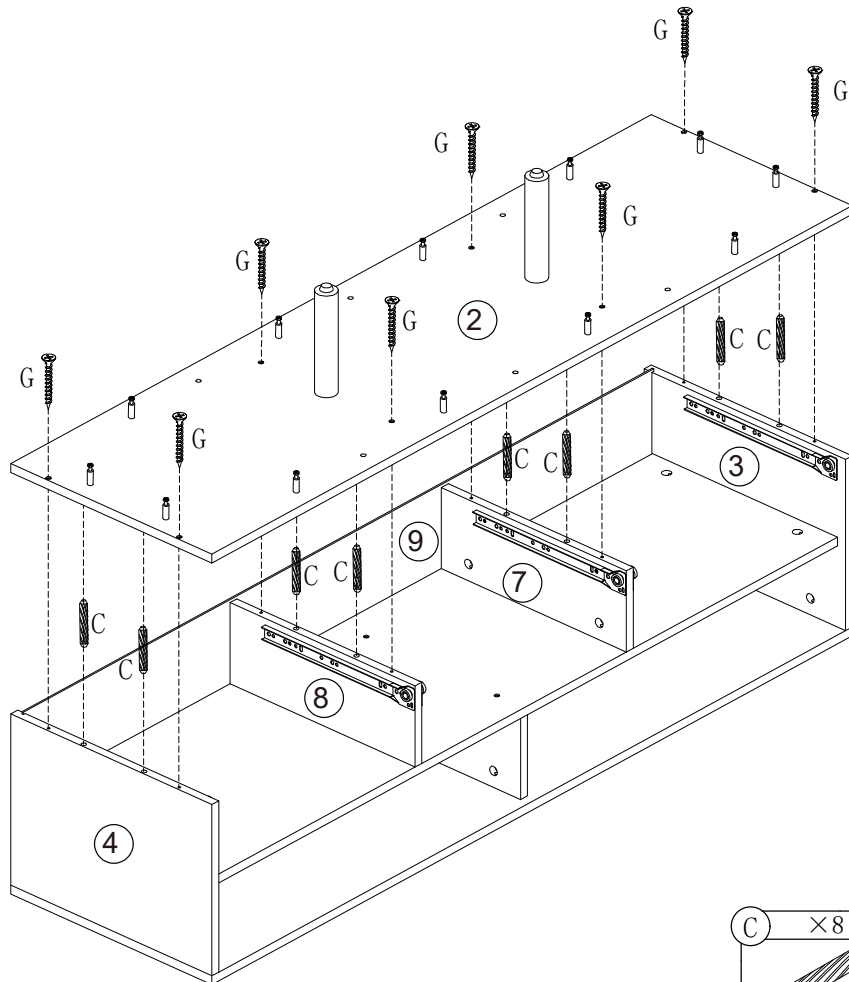


J	×4	K	×1	L	×2
 5×40		 M3			

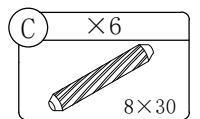
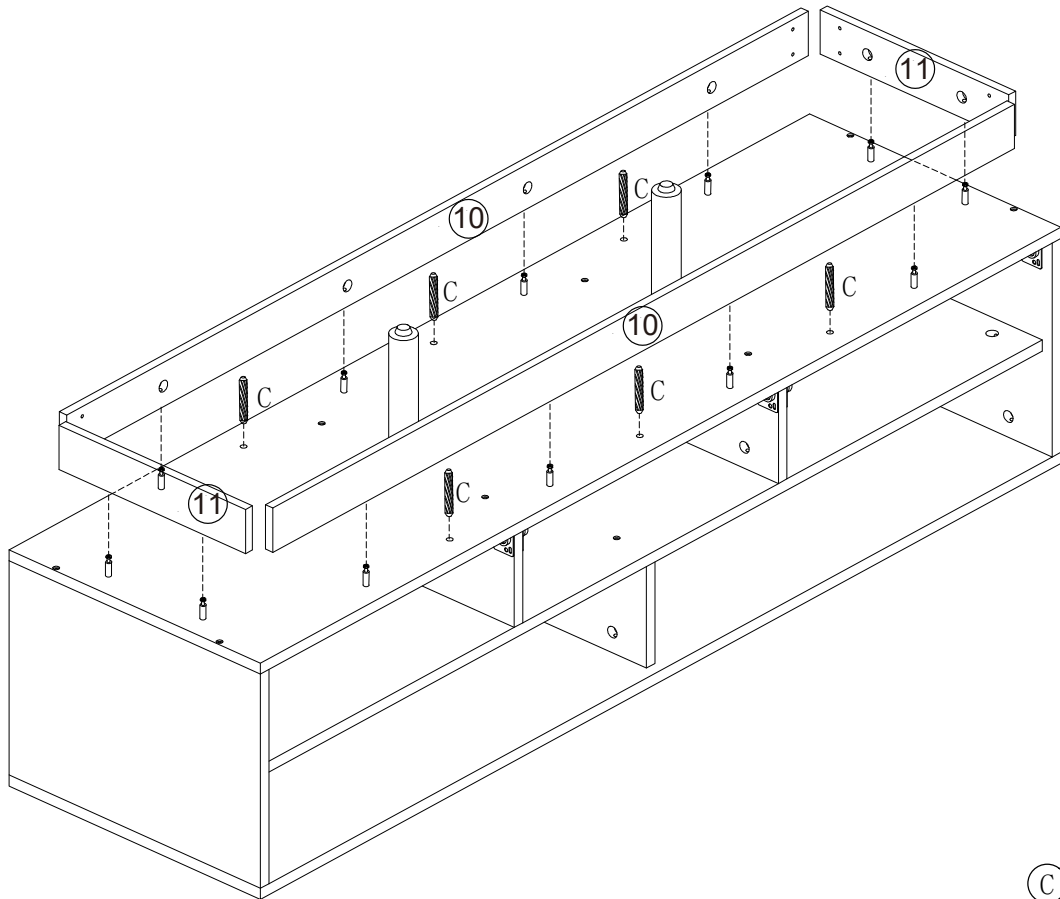
10



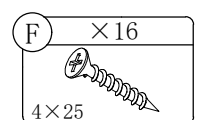
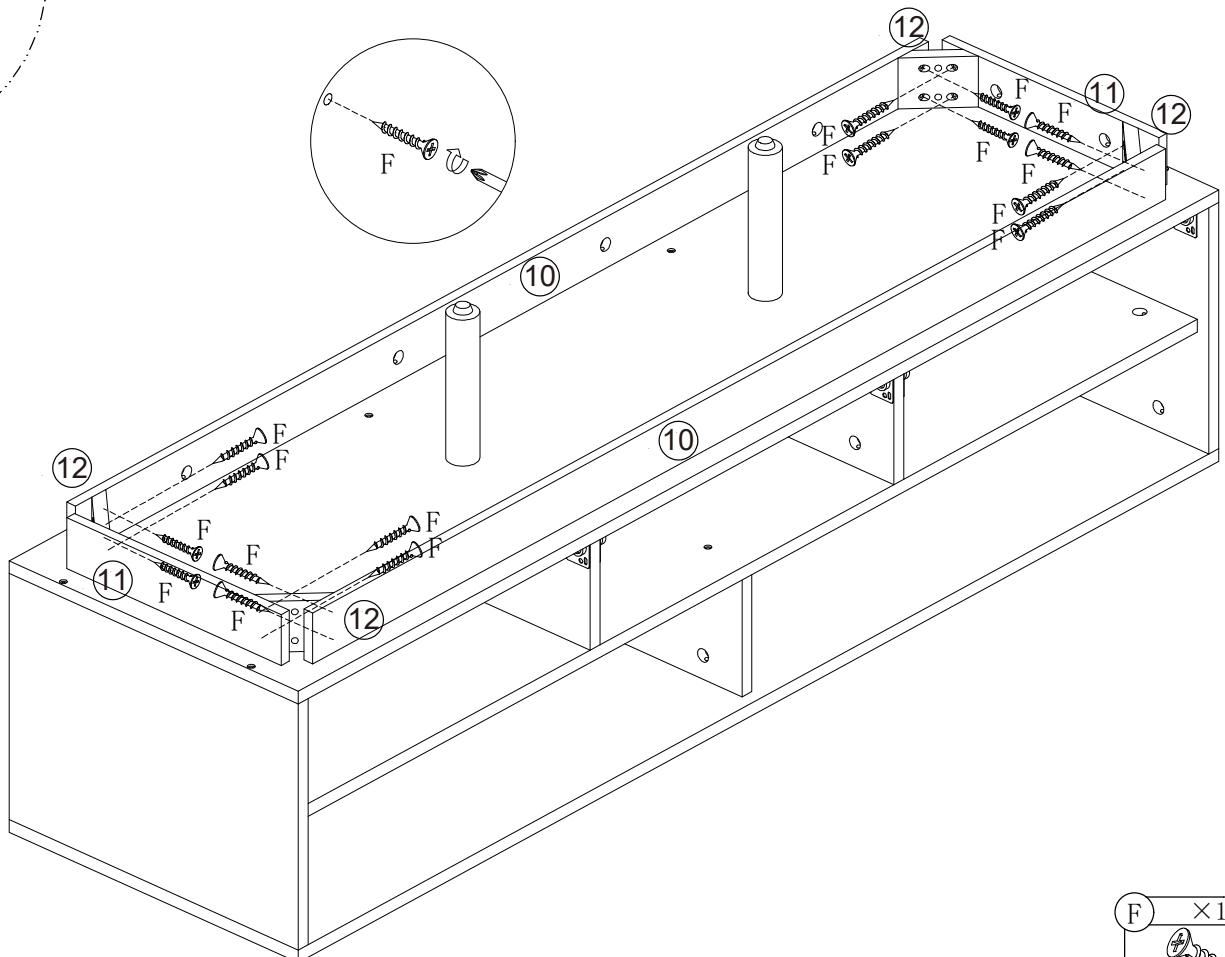
11



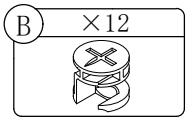
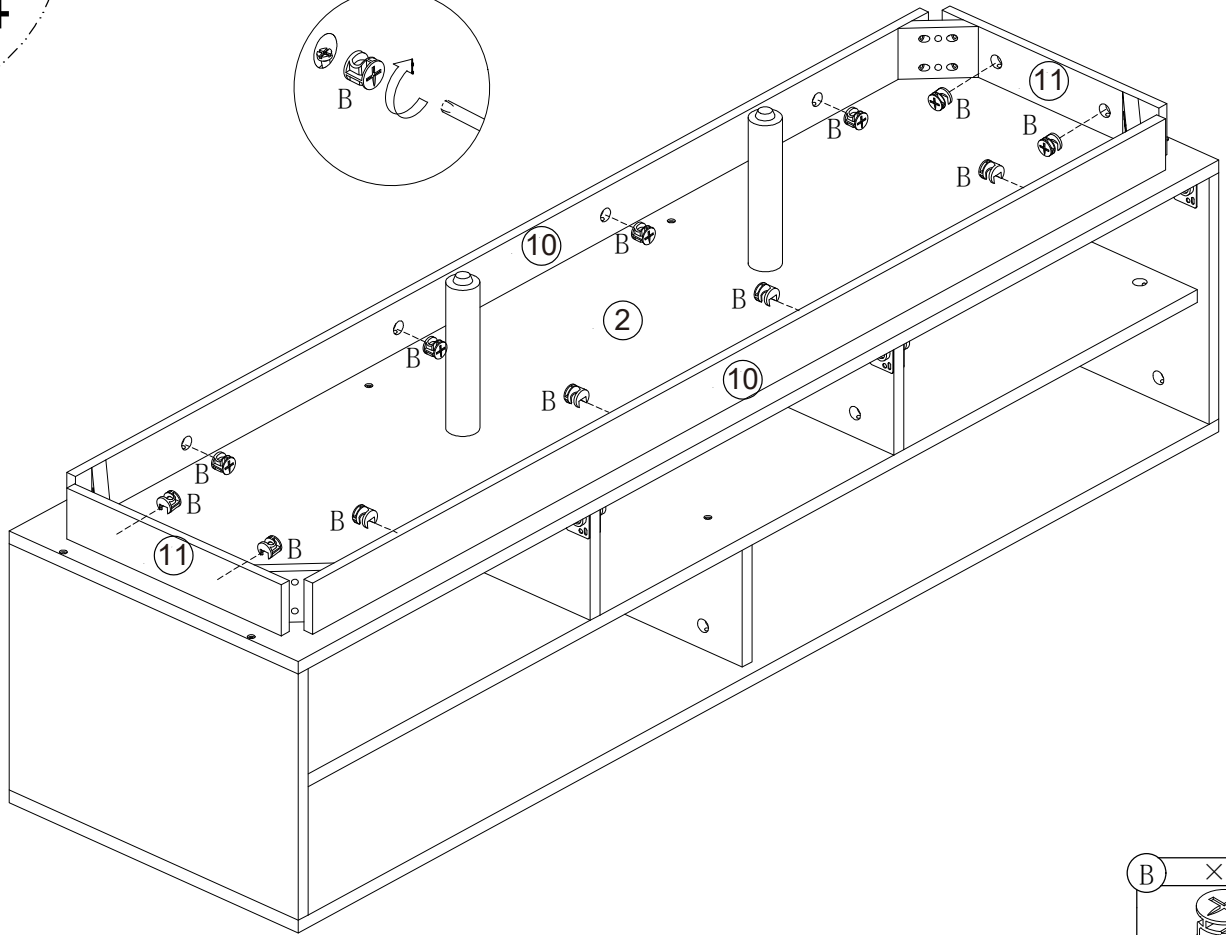
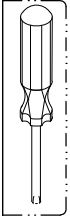
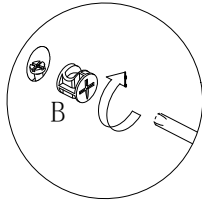
12



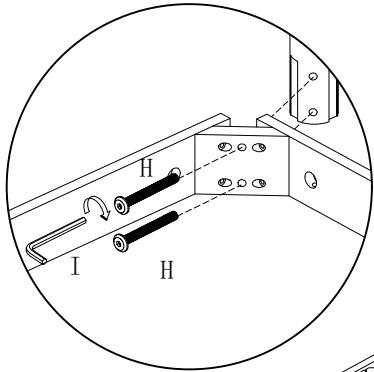
13



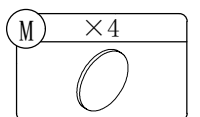
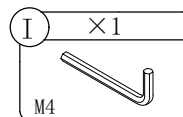
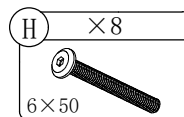
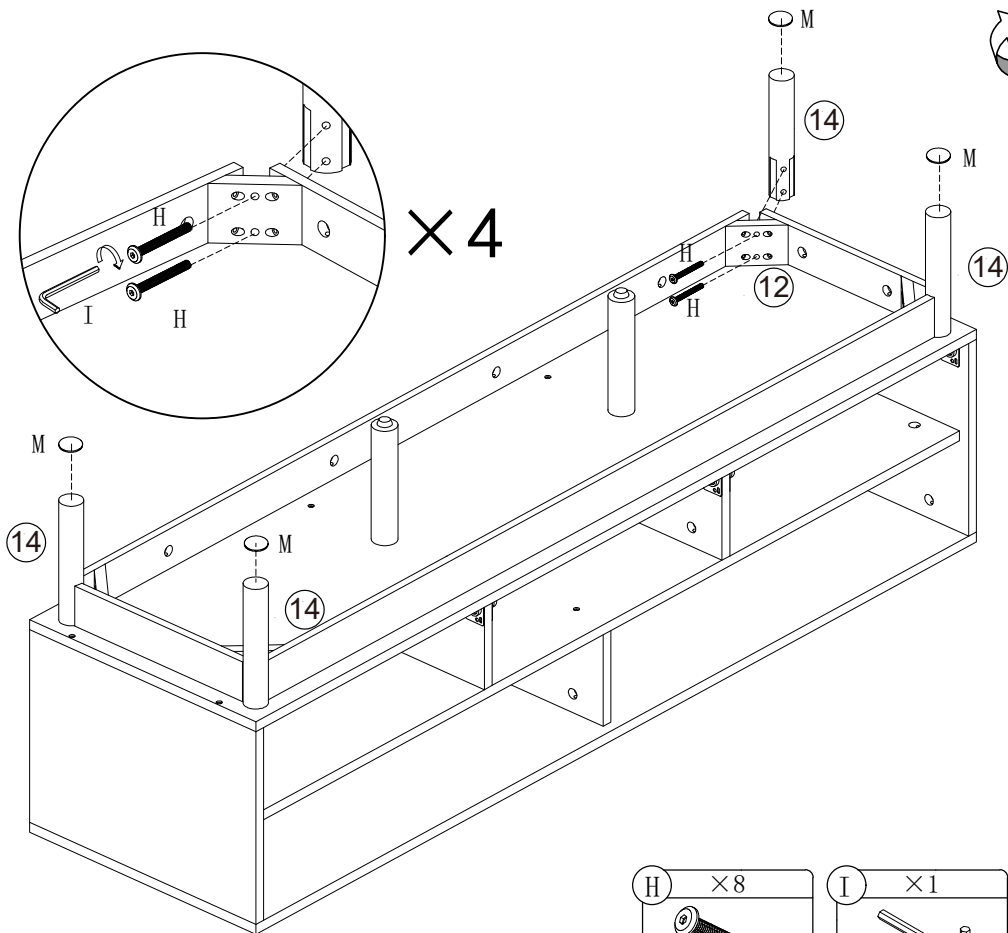
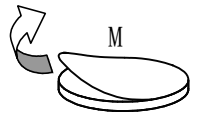
14



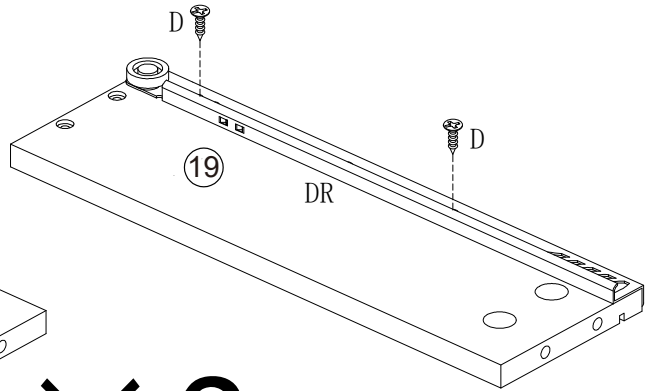
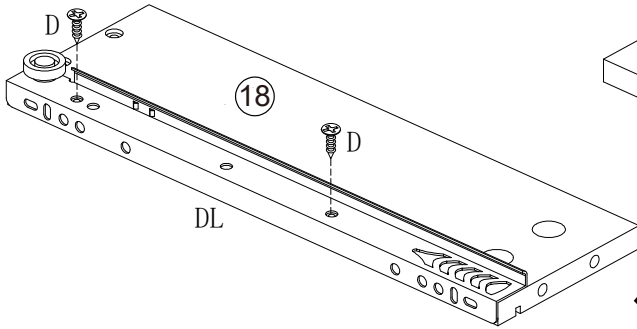
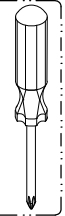
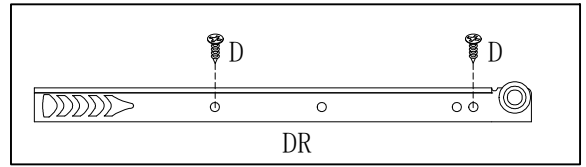
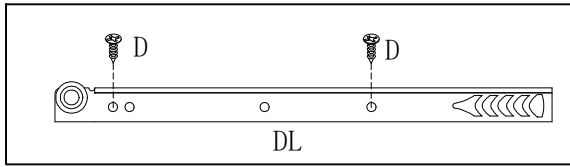
15



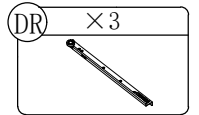
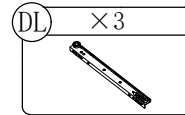
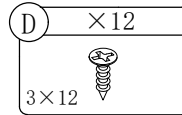
×4



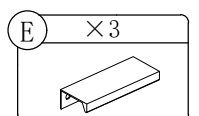
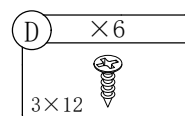
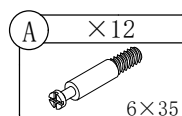
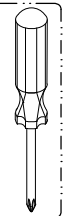
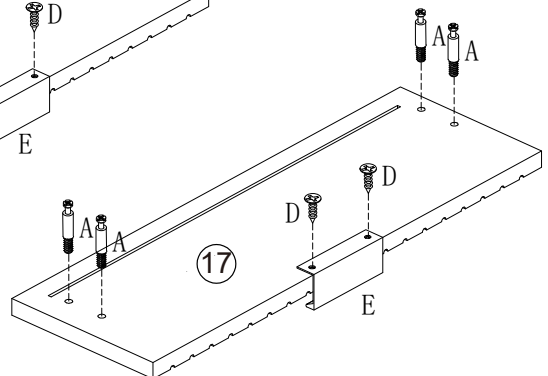
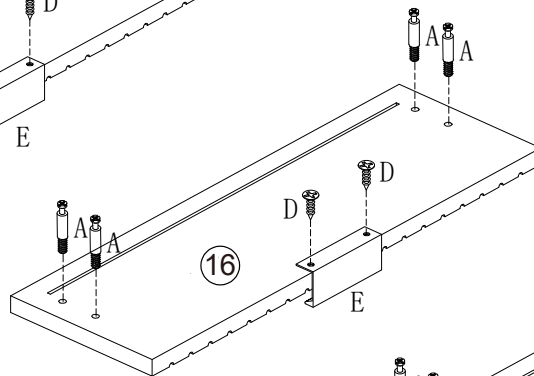
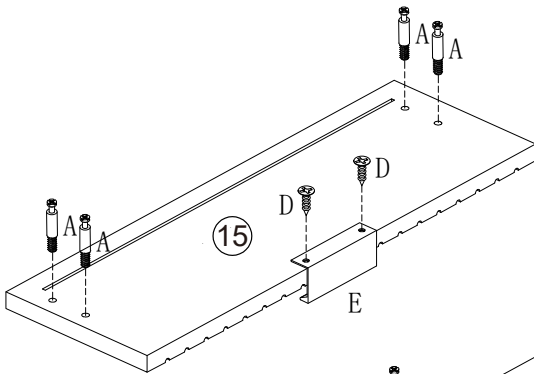
16



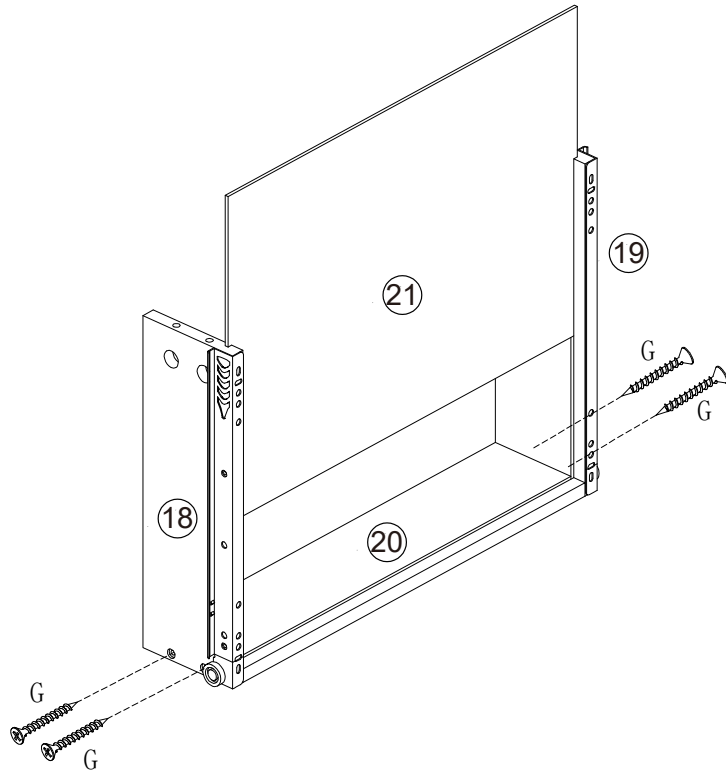
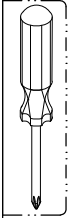
× 3 × 3



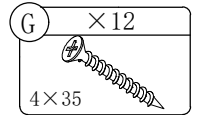
17



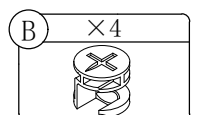
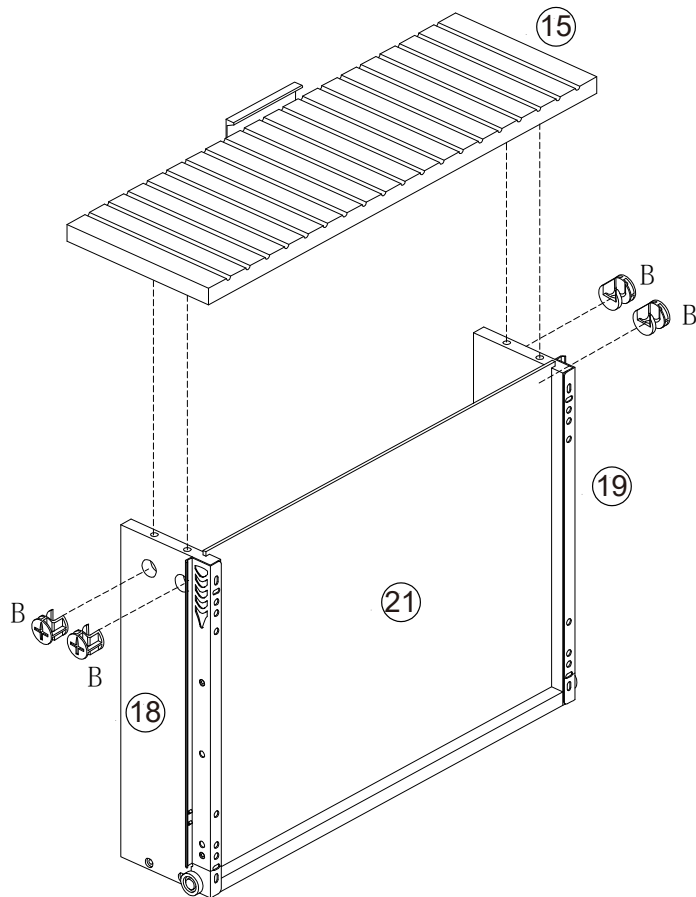
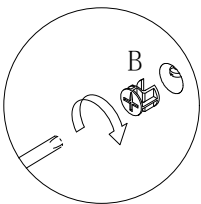
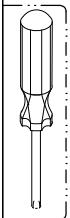
18



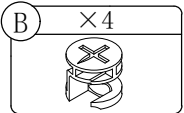
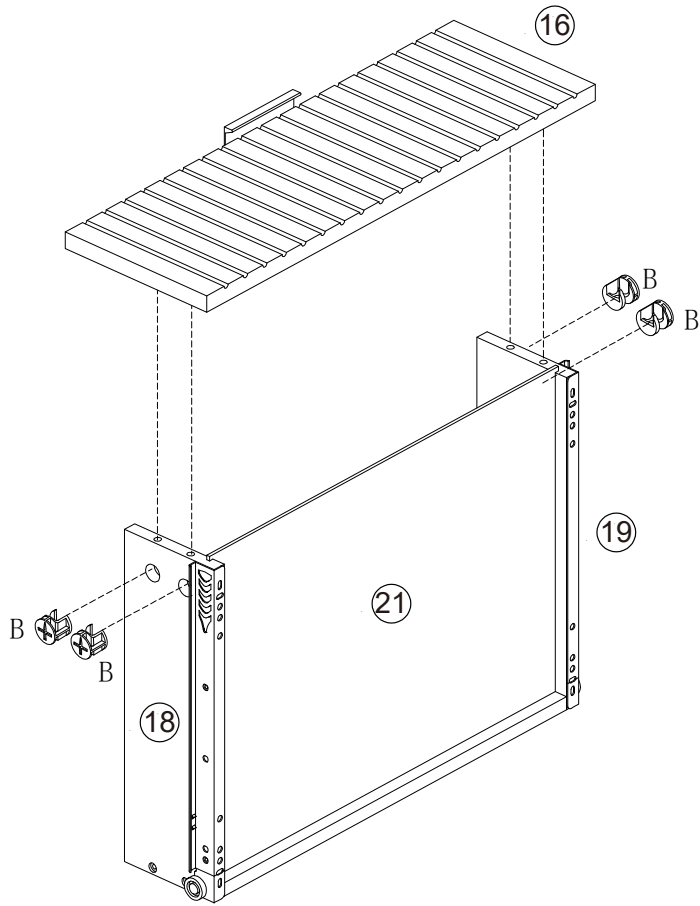
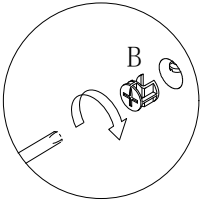
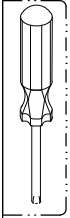
× 3



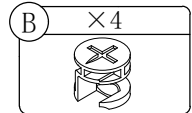
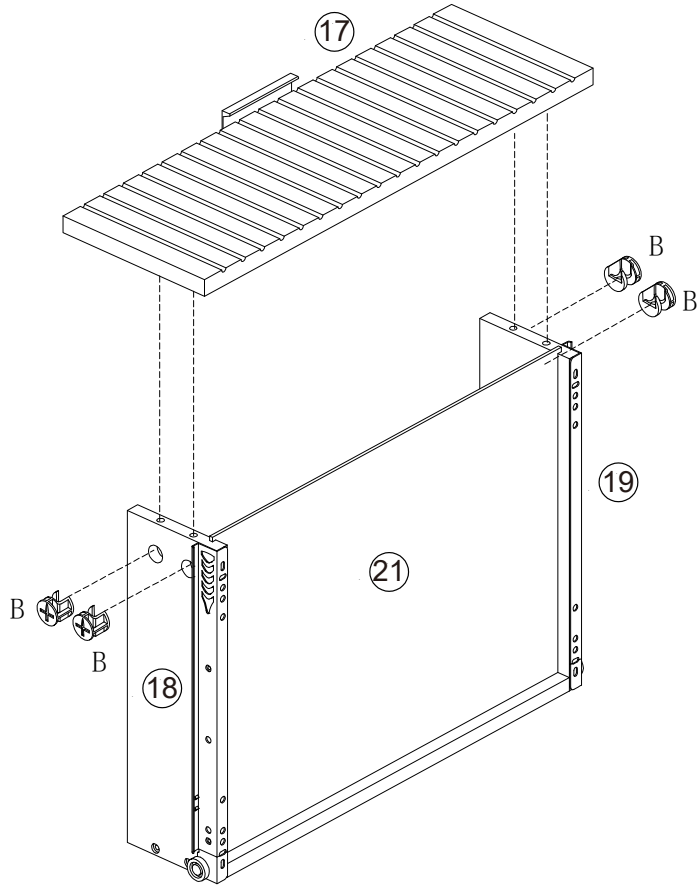
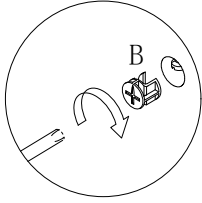
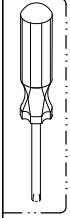
19



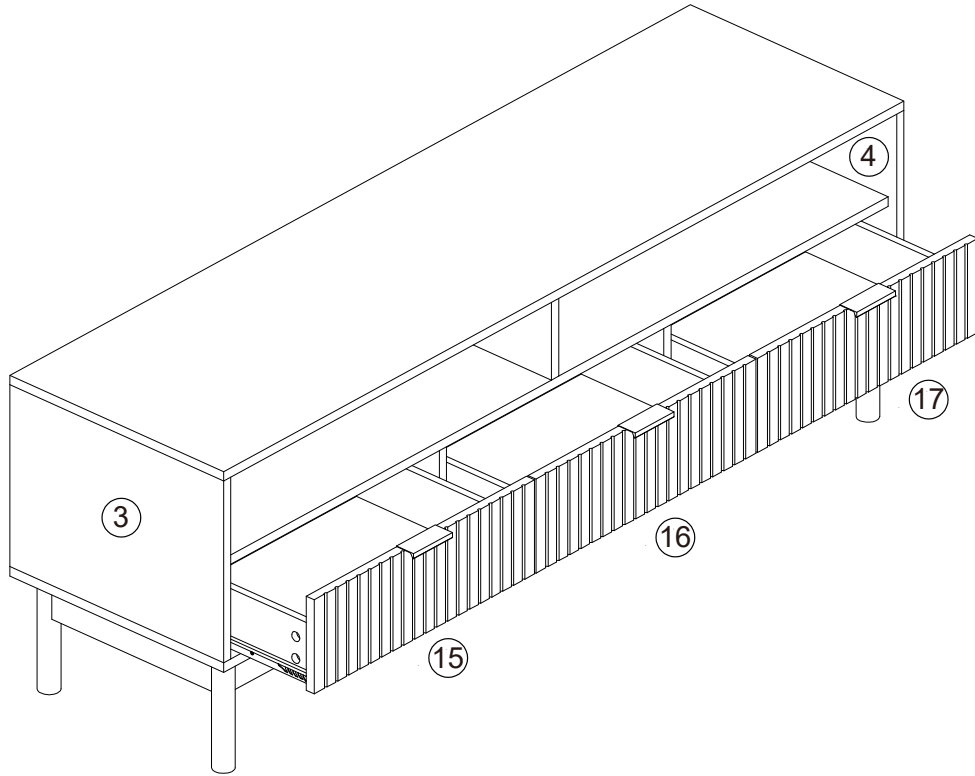
20



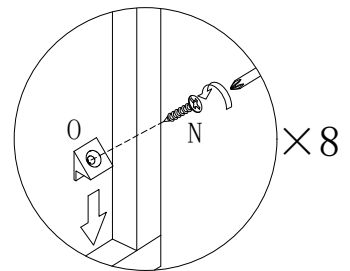
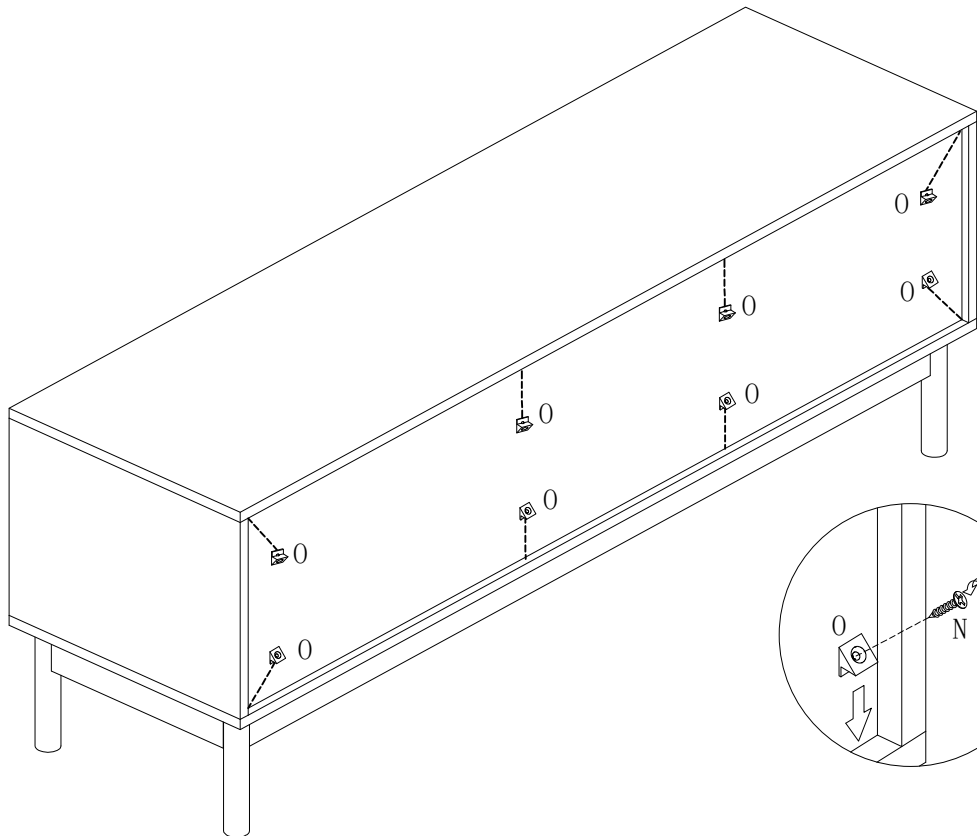
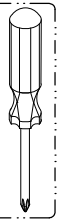
21





22



23



N	× 8	0	× 8
			
3 × 14			