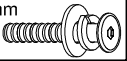

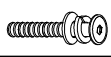
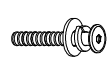




# ASSEMBLY INSTRUCTIONS

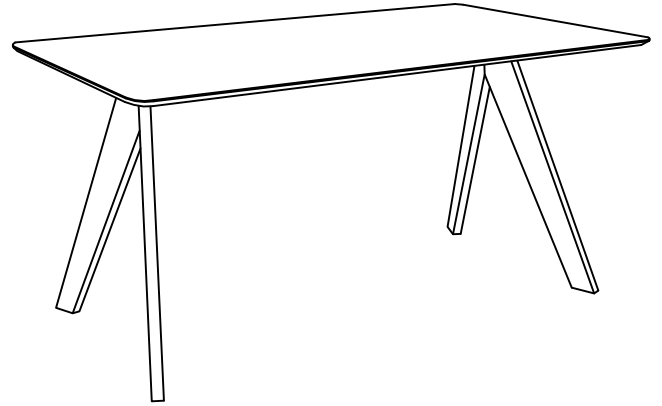
MODEL : SS02005

**IMPORTANT NOTE :**

- \* PLACE ALL WOODEN PARTS ON A CLEAN AND SMOOTH SURFACE SUCH AS A RUG OR CARPET TO AVOID THE PARTS FROM BEING SCRATCHED.
- \* BEFORE YOU BEGIN, KINDLY FOLLOW THE ASSEMBLY INSTRUCTIONS STEP BY STEP.

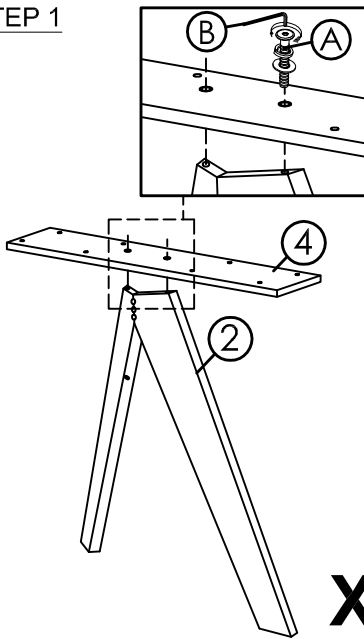
HARDWARE LIST		
A	JCBB M8 x 40mm + S/W 5/16" + F/W 5/16" x 22mm 	4PCS
B	ALLEN KEY M5 	1PC
C	JCBC M6 x 45mm + S/W M6 + F/W M6 x 13mm 	4PCS
D	JCBC M6 x 35mm + S/W M6 + F/W M6 x 19mm 	16PCS
E	ALLEN KEY M4 	1PC
F	WOOD BUTTON Ø14.5mm 	4PCS

PART LIST		
1	TABLE TOP	1PC
2	TABLE LEG	2PCS
3	CROSS BAR	1PC
4	LEG MOUNTING PLATE	2PCS

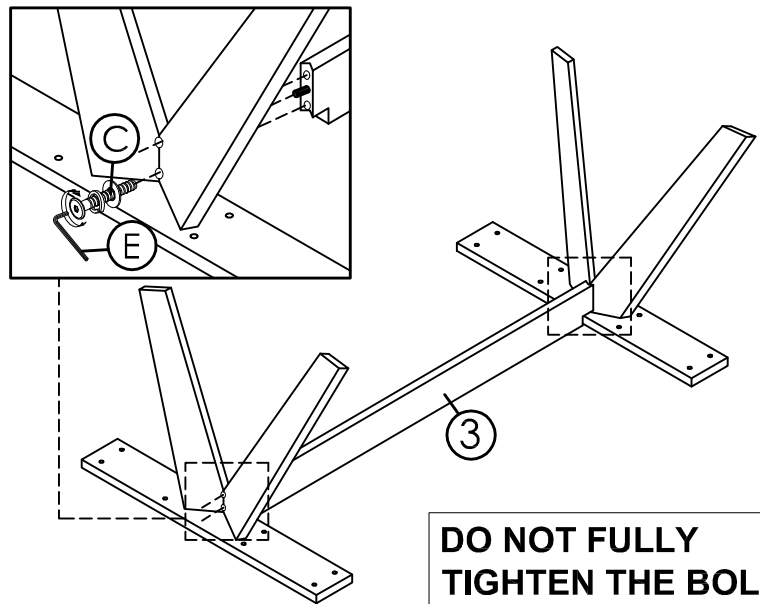


COMPLETED TABLE ASSEMBLY.

**STEP 1**



**STEP 2**



**STEP 3**

