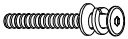


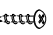



# ASSEMBLY INSTRUCTIONS

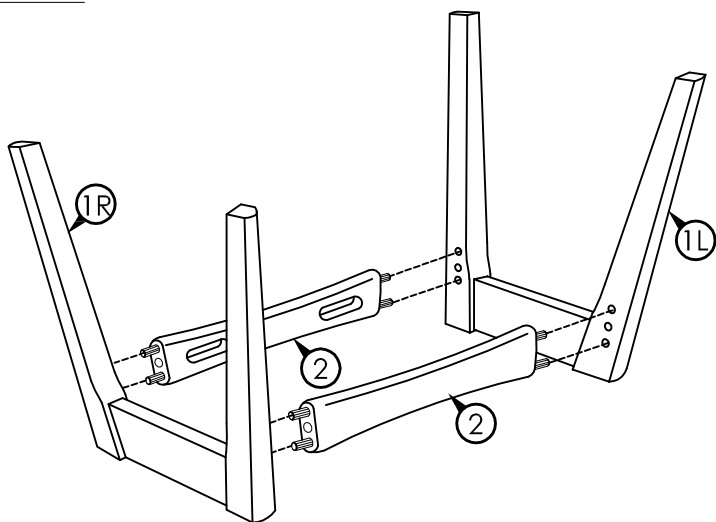
MODEL : SS02004

**IMPORTANT NOTE :** \* PLACE ALL WOODEN PARTS ON A CLEAN AND SMOOTH SURFACE SUCH AS A RUG OR CARPET TO AVOID THE PARTS FROM BEING SCRATCHED.  
 \* PLEASE FOLLOW ASSEMBLY INSTRUCTIONS STEP BY STEP.  
 \* DO NOT FULLY TIGHTEN ALL SCREWS UNTIL THE CHAIR PARTS HAVE BEEN ASSEMBLED.

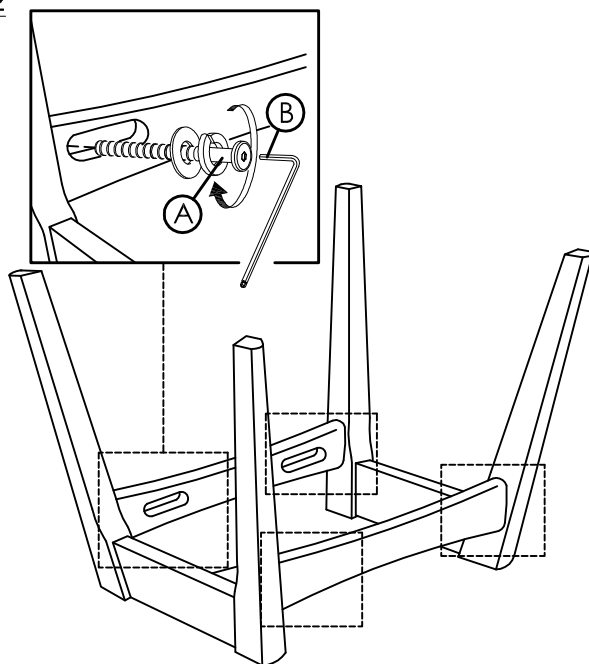
HARDWARE LIST			PART LIST		
A	JCBC M6 x 50mm + S/W M6 + F/W M6 x 13mm 	4PCS	1	LEG L/R	2PCS
B	ALLEN KEY M4 (Ball Shape) 	1PC	2	STRETCHER	2PCS
C	L BRACKET 	4PCS	3	CUSHION SEAT	1PC
D	PH SCREW M4 x 12mm 	8PCS			
E	WOOD DOWEL M8 x 25mm 	2PCS			

**PLEASE NOTE :**  
 (1) DO NOT FULLY-TIGHTEN THE NUTS AND BOLTS UNTIL ALL PARTS HAVE BEEN ASSEMBLED.  
 (TO AVOID CAUSING DAMAGE TO THE THREADS, DO NOT OVER-TIGHTEN THE NUTS AND BOLTS.)  
 (2) KEEP ALL PARTS OUT OF THE REACH OF CHILDREN.

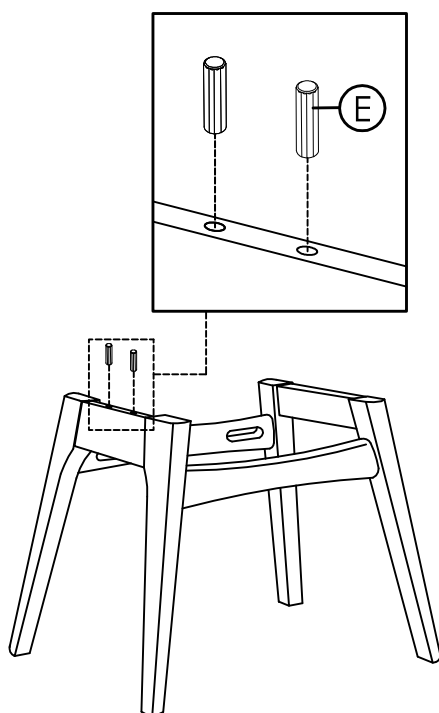
**STEP 1**



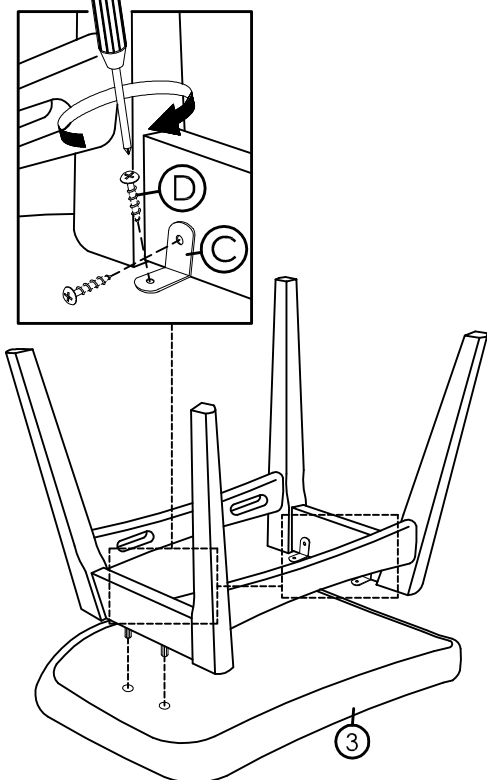
**STEP 2**



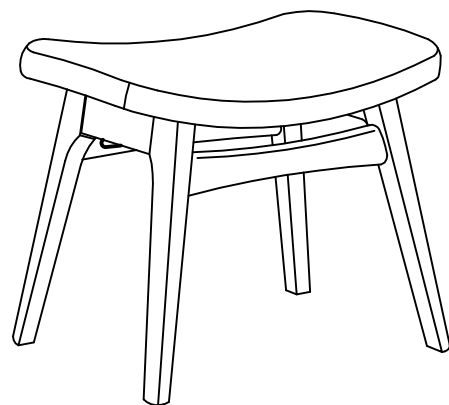
**STEP 3**



**STEP 4**



**STEP 5**



COMPLETED OTTOMAN ASSEMBLY.