
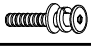




ASSEMBLY INSTRUCTIONS

MODEL : SS02001

IMPORTANT NOTE :

- * PLACE ALL WOODEN PARTS ON A CLEAN AND SMOOTH SUCH AS A RUG OR CARPET TO AVOID THE PARTS FROM BEING SCRATCHED.
- * BEFORE YOU BEING, KINDLY FOLLOW THE ASSEMBLY INSTRUCTIONS STEP BY STEP.

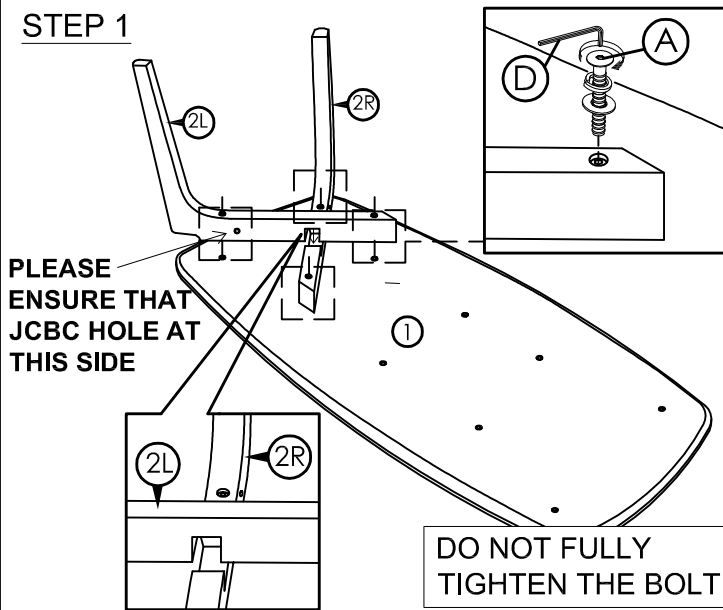
HARDWARE LIST		
A	JCBC M6 x 60mm + S/W M6 + F/W M6 x 13mm 	8PCS
B	JCBC M6 x 30mm + S/W M6 + F/W M6 x 13mm 	4PCS
C	JCBC M6 x 35mm + S/W M6 + F/W M6 x 19mm 	2PCS
D	ALLEN KEY M4 (BALL SHAPE) 	1PC

PART LIST		
1	TABLE TOP	1PC
2	TABLE LEG L/R	4PCS
3	LEG SUPPORT	2PCS

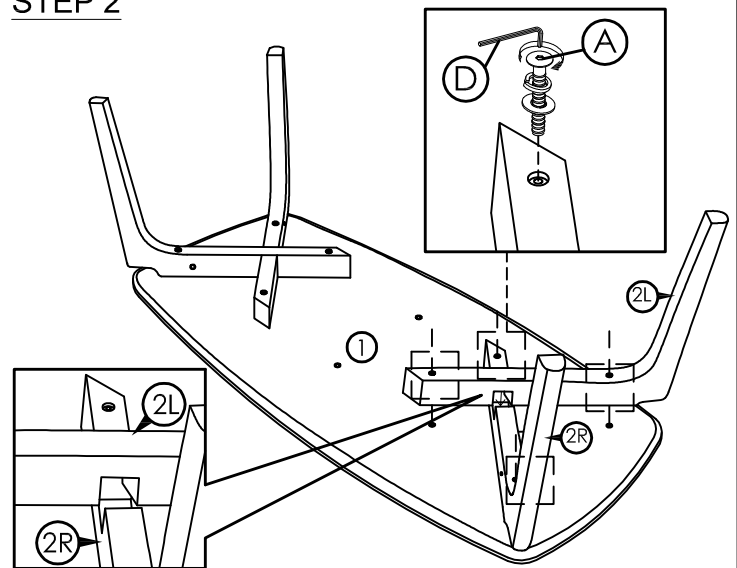


COMPLETED COFFEE TABLE ASSEMBLY.

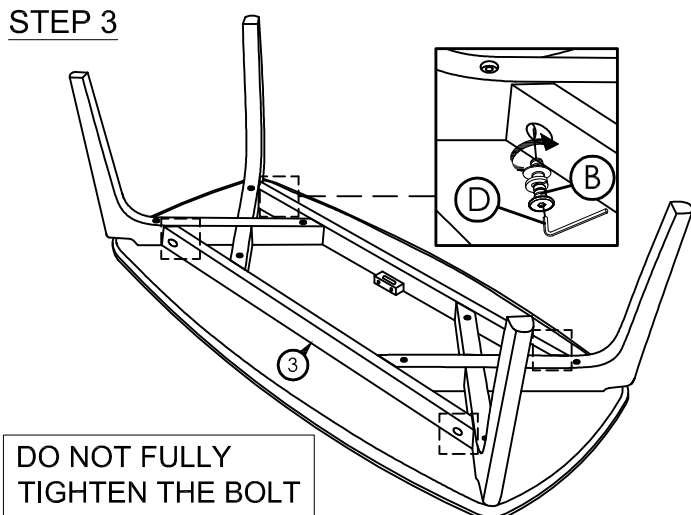
STEP 1



STEP 2



STEP 3



STEP 4

