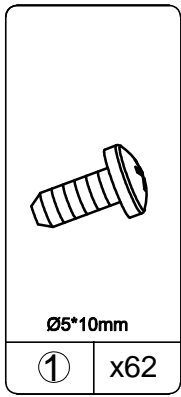
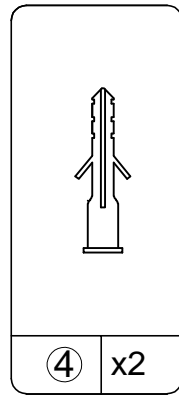
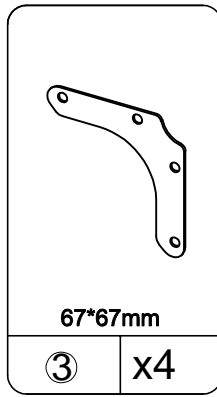
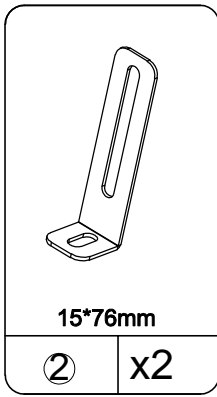


Hardware	Ctn No.	1
----------	---------	---

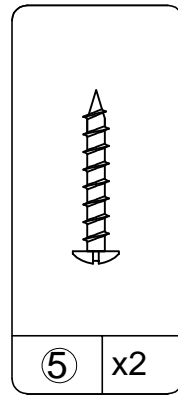
No.	Size	Qty
A	900x350x20mm	2
B	1060x349x20mm	1
C	1099x349x20mm	1
D	1060x20x20mm	2



spare:2

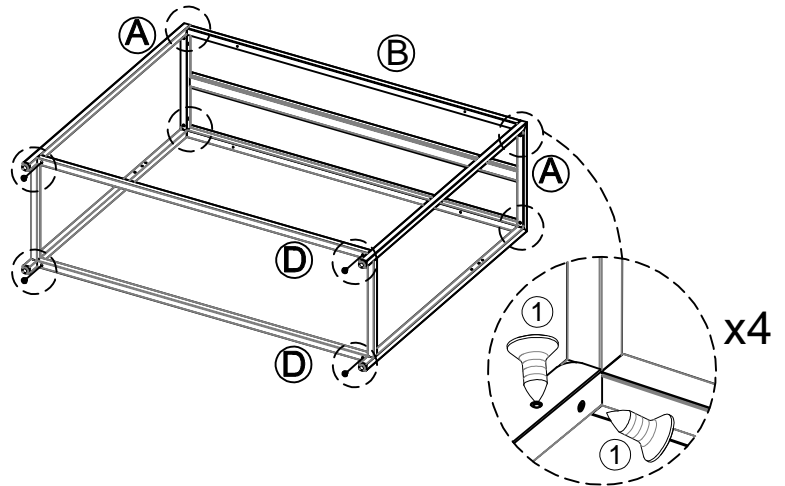
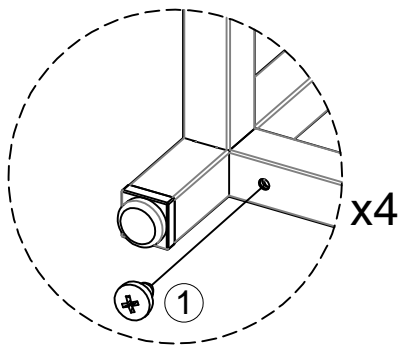
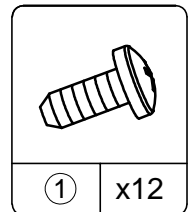
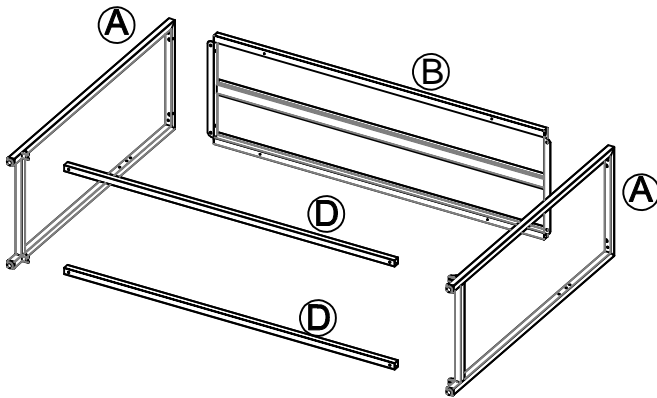


WALL ANCHOR

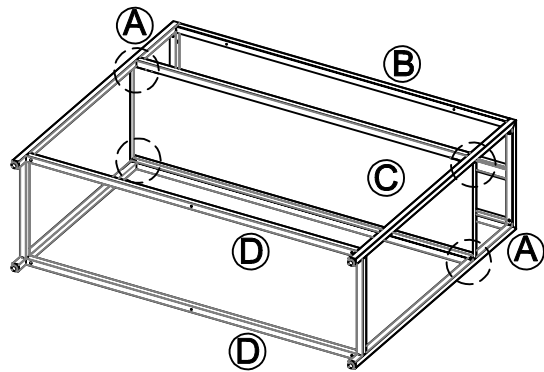
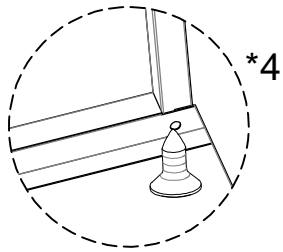
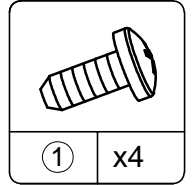
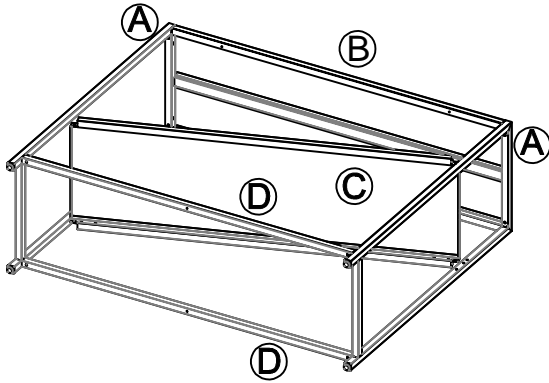


SCREW

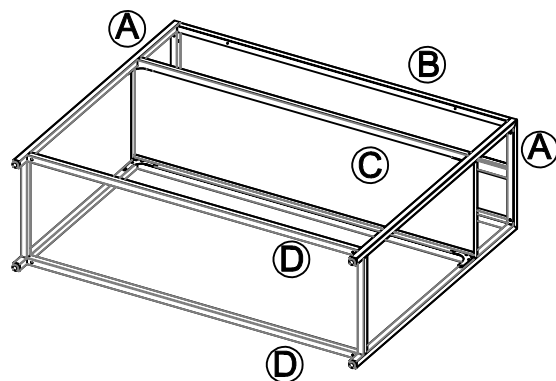
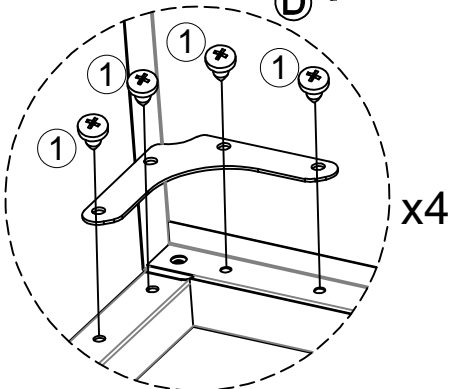
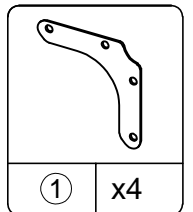
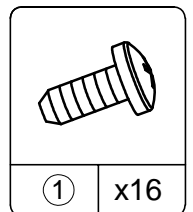
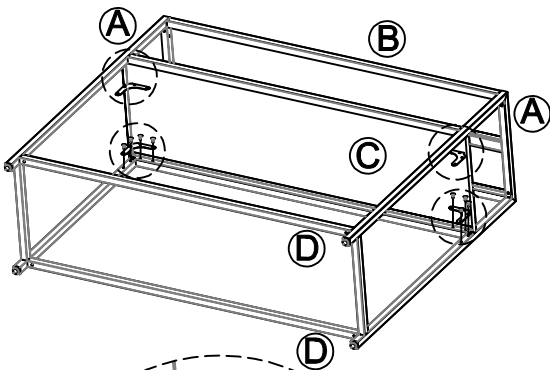
(1) - Attach (A) to (B) & (D) as below shown.



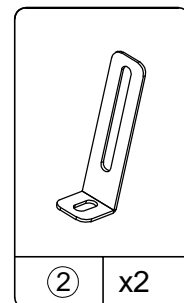
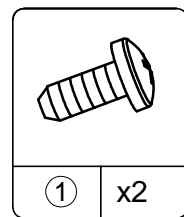
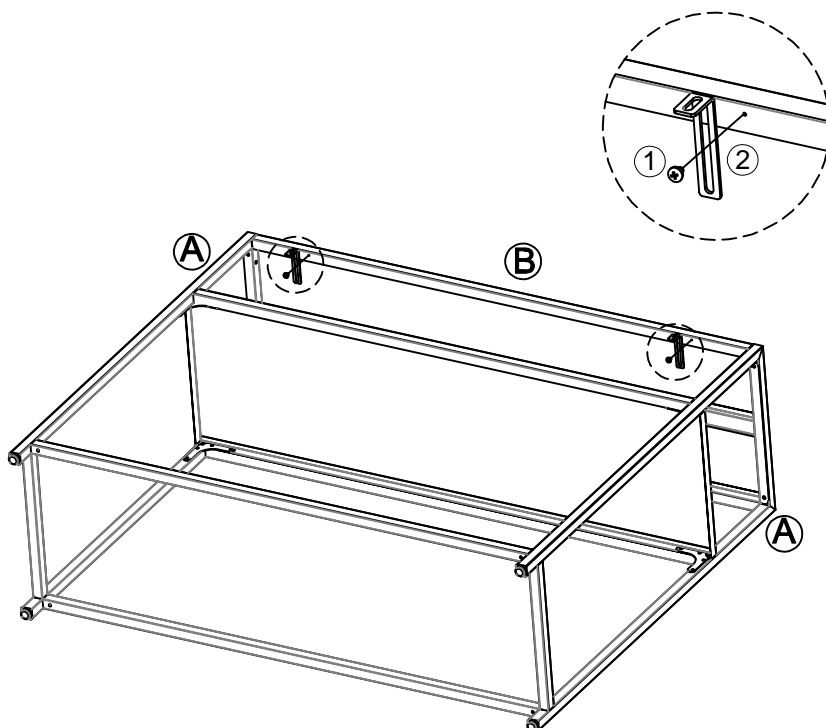
(2) - Attach (C) to (A) as below shown.



(3) - Attach (D) to (A) & (B) as below shown.



(4) - Attach (2) to (B) as below shown.



(5)

