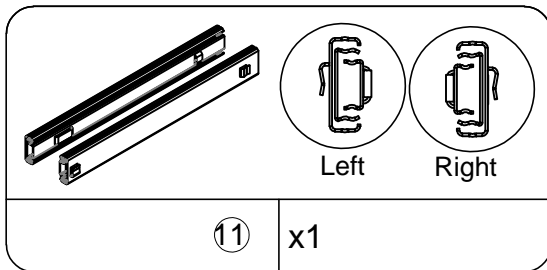
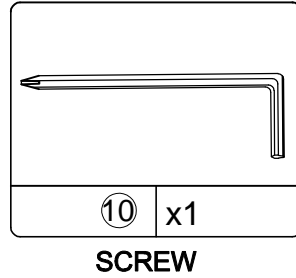
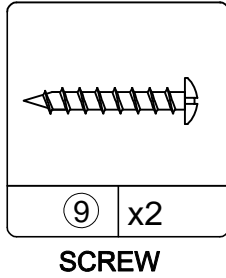
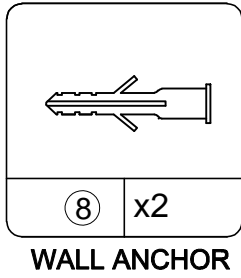
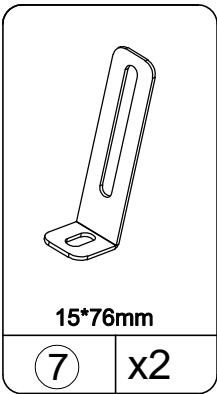
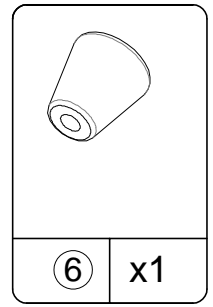
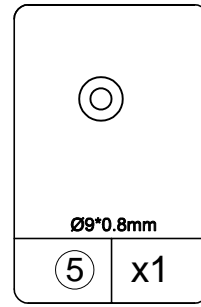
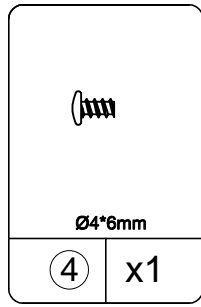
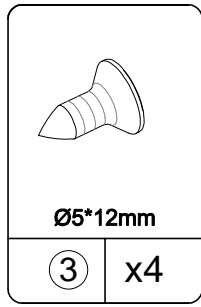
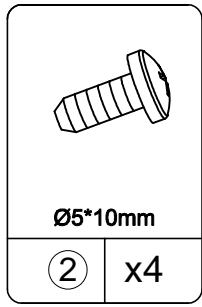
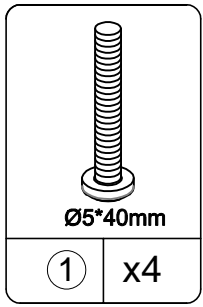
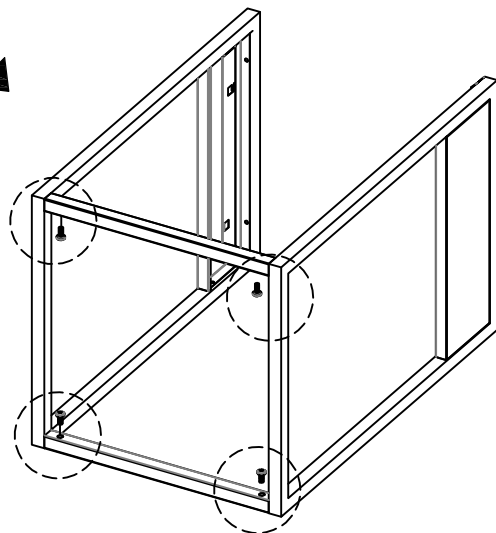
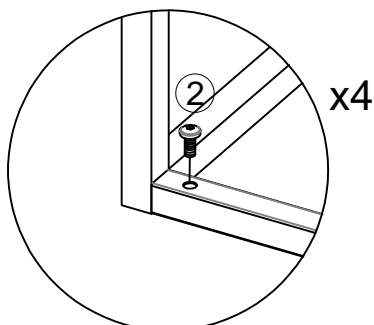
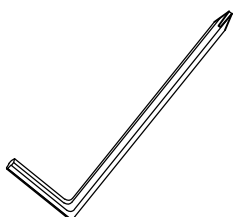
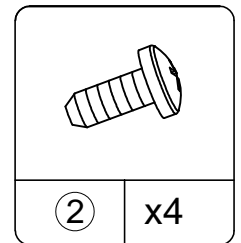
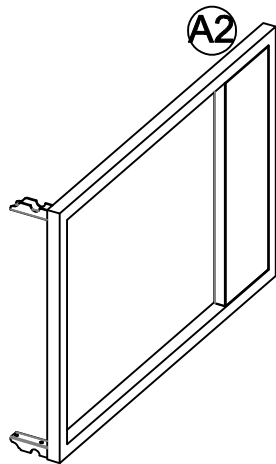
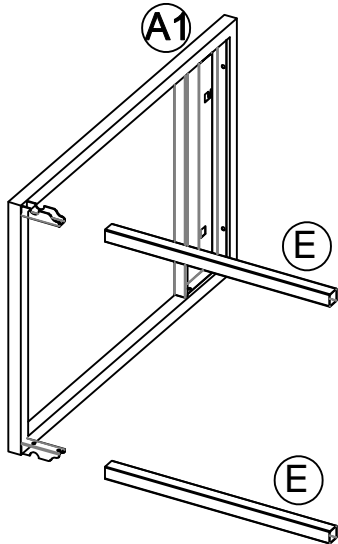


| | | |
|----------|---------|---|
| Hardware | Ctn No. | 1 |
|----------|---------|---|

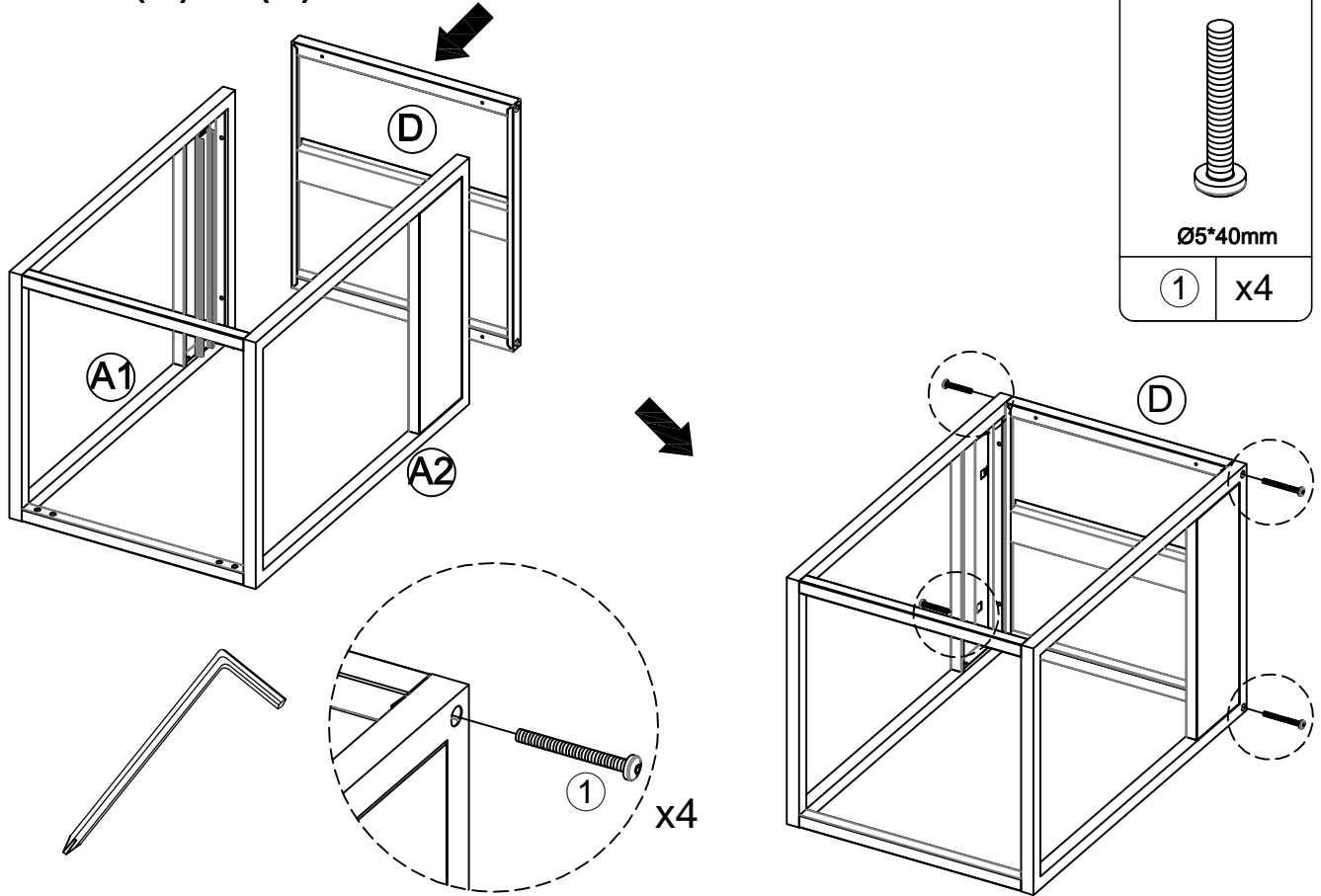
| No. | Size | Qty |
|-----|---------------|-----|
| A1 | 600x400x20mm | 1 |
| A2 | 600x400x20mm | 1 |
| B | 359x120x20mm | 1 |
| C | 356x117x20mm | 1 |
| D | 360x400x20mm | 1 |
| E | 360x20x20mm | 2 |
| F | 331x99x15mm | 1 |
| G | 360x333x100mm | 1 |



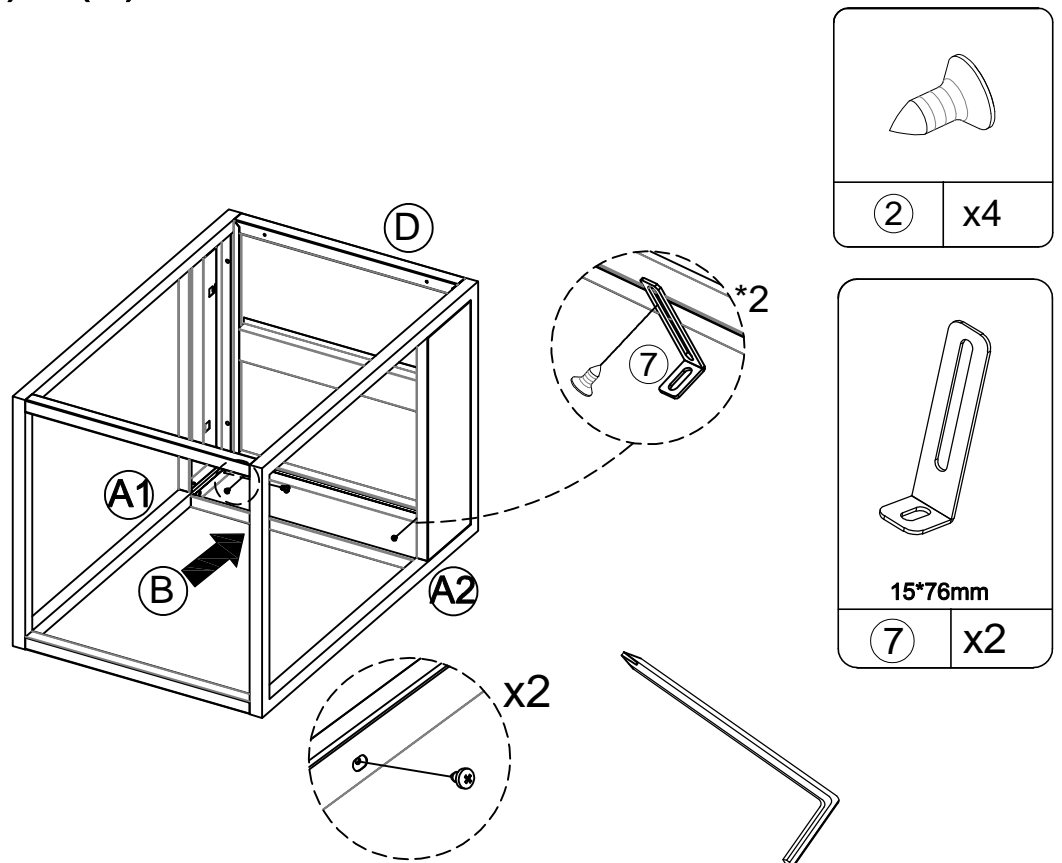
(1) - Attach (A) to (E) as below shown.



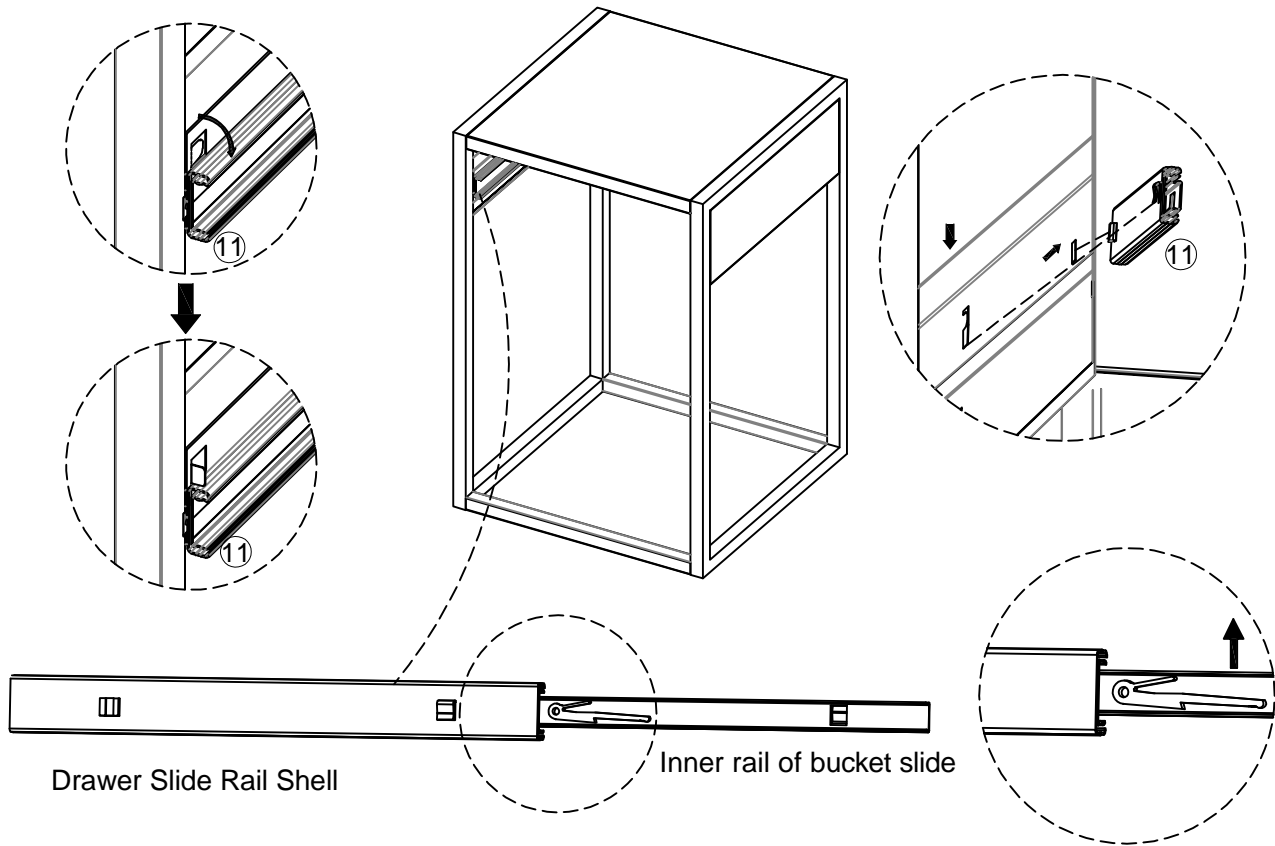
(2) - Attach (D) to (A) as below shown.



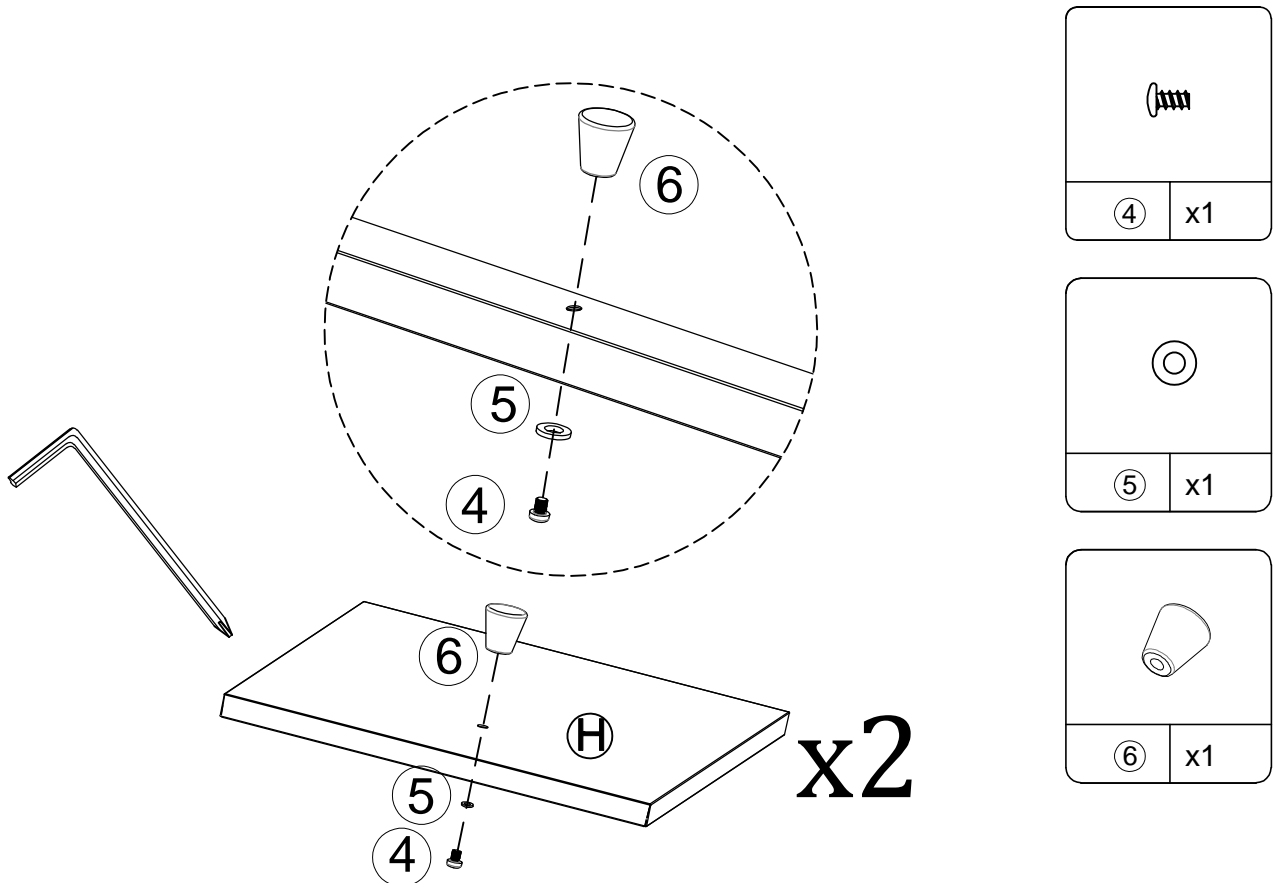
(3) - Attach (B) to (A) & (D) as below shown.



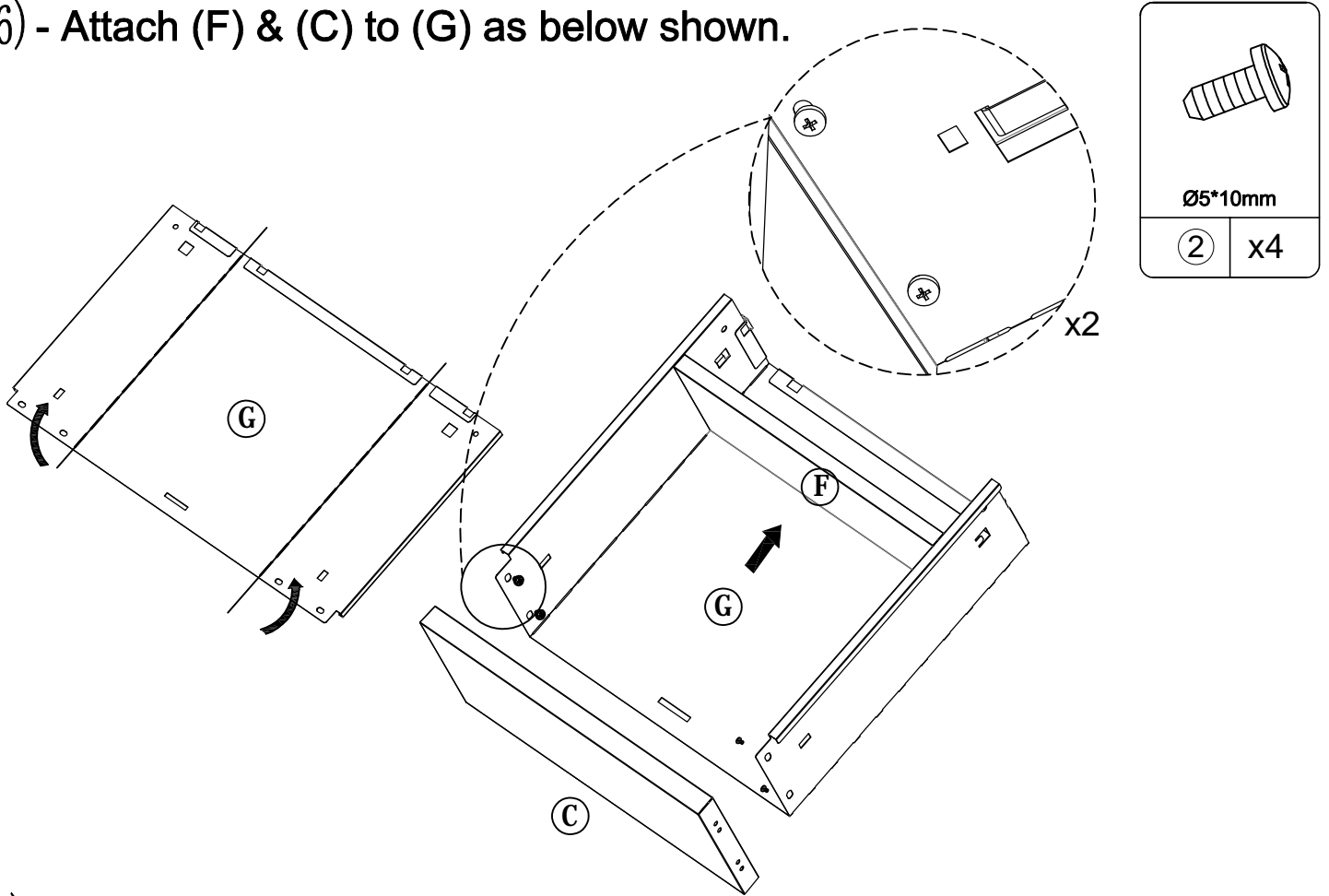
(4) - Attach (11) to (A) as below shown.



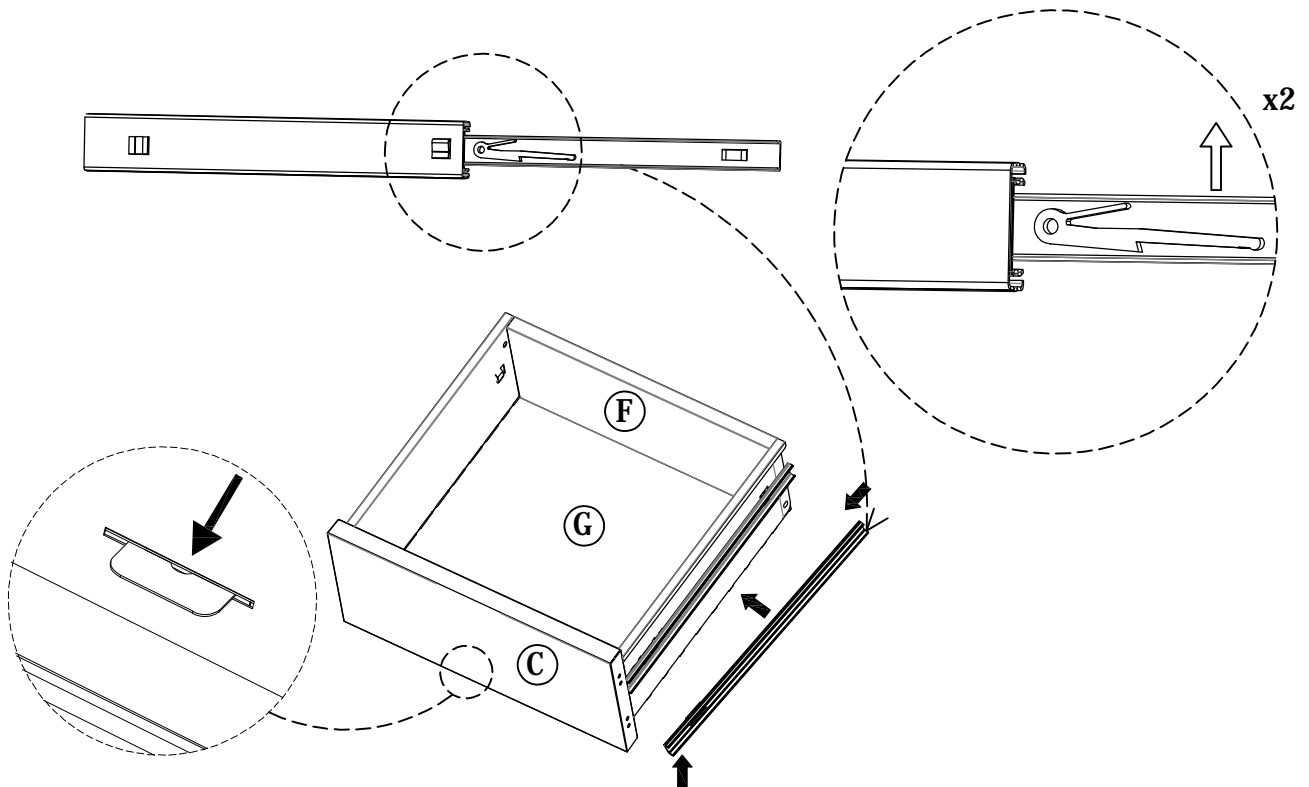
(5) - Attach (6) to (C) as below shown.



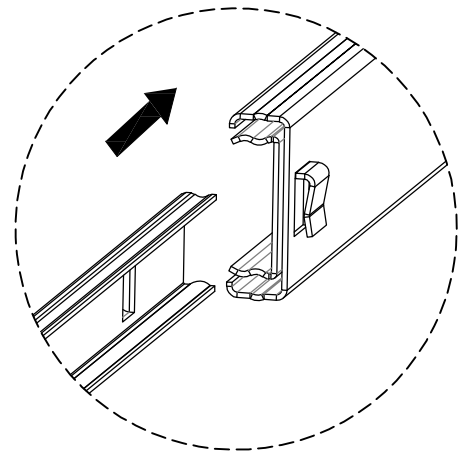
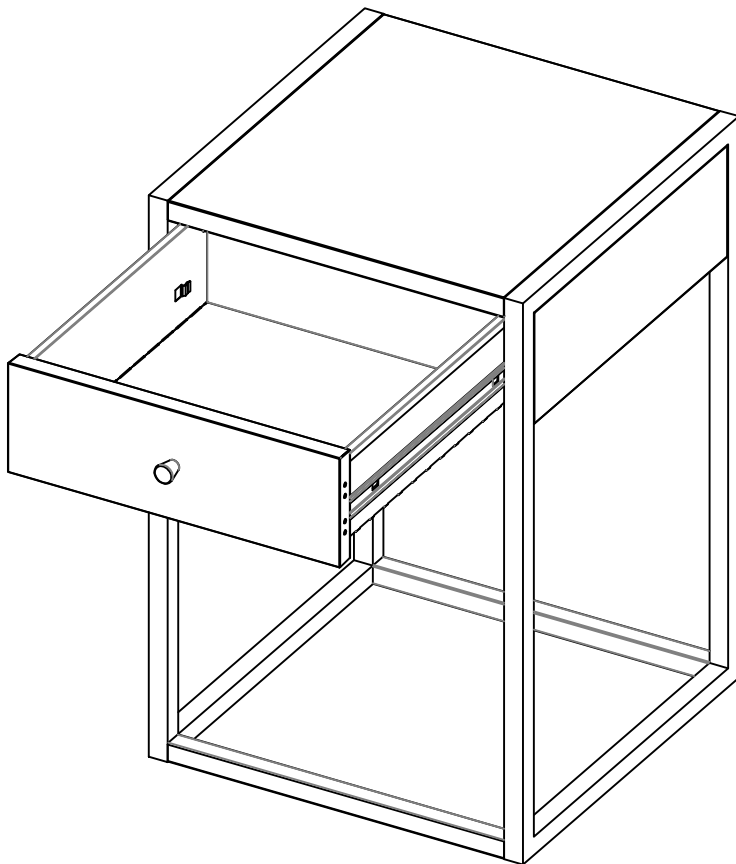
(6) - Attach (F) & (C) to (G) as below shown.



(7) - Attach (11) to (G) as below shown.



(8) - Attach (C) to pre-assembled unit as below shown.



(9)

