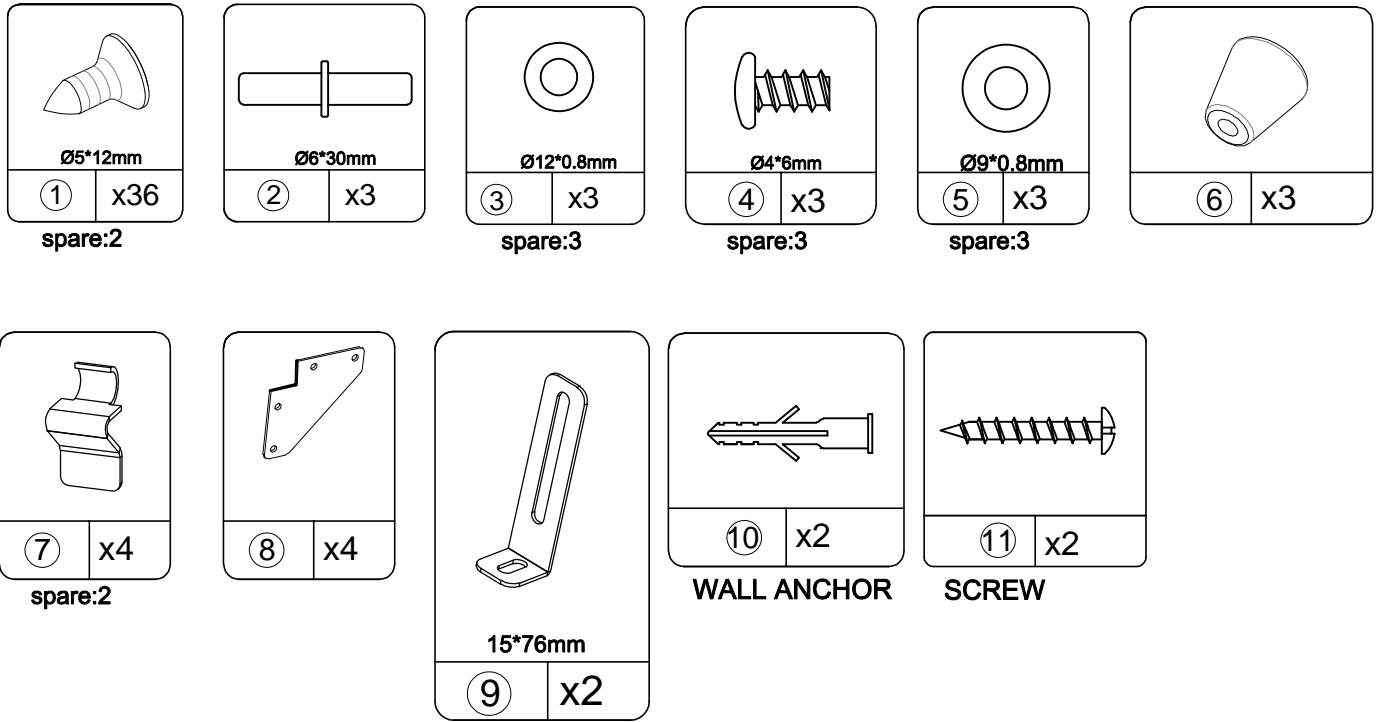
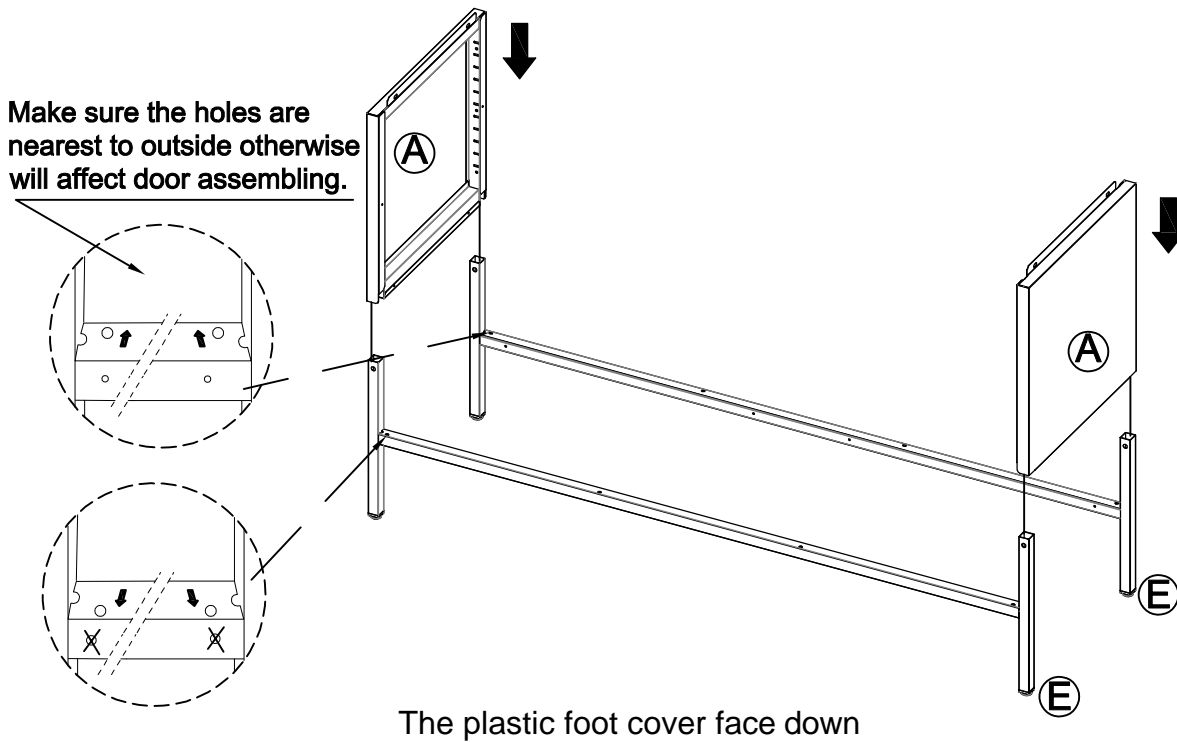


Hardware	Ctn No.	1
----------	---------	---

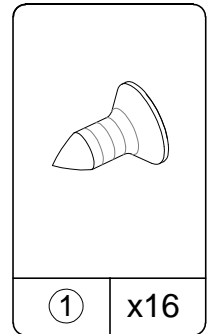
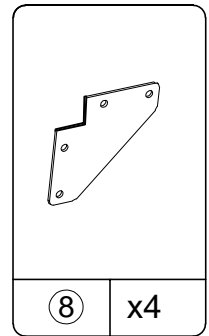
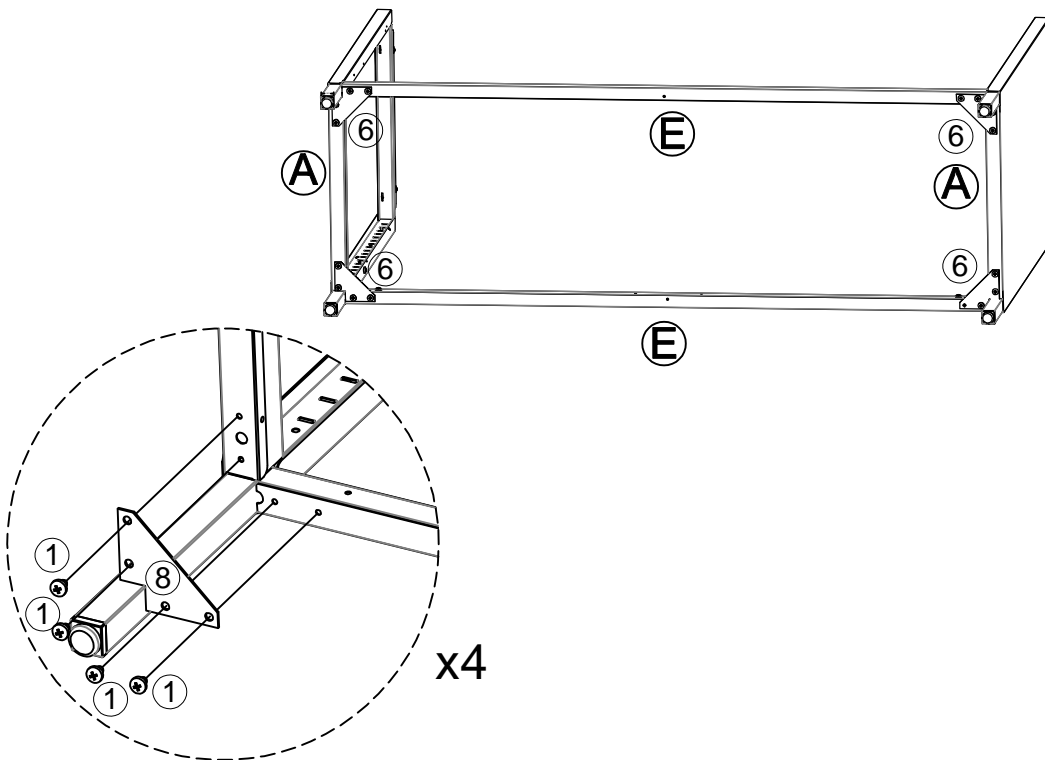
No.	Size	Qty
A	400x330x24mm	2
B1	421.5x320x23mm	1
B2	421.5x320x23mm	1
C1	415x301x20mm	1
C2	415x301x20mm	2
D	1301.5x402x25mm	1
E	1296.5x260x20mm	2
F	1296x351x20mm	1



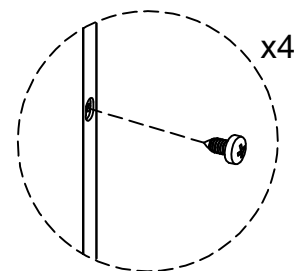
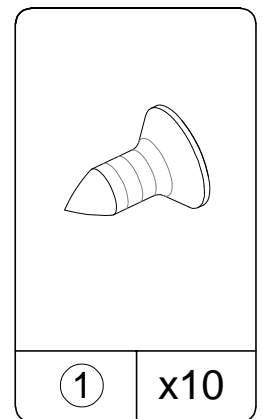
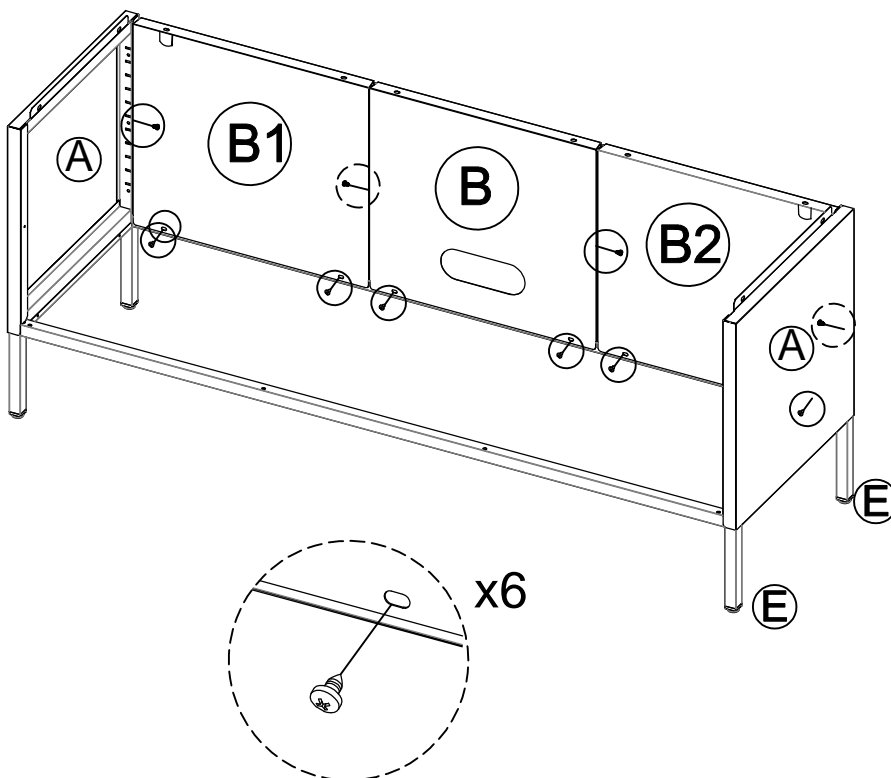
(1) - Attach (A) to (E) as below shown.



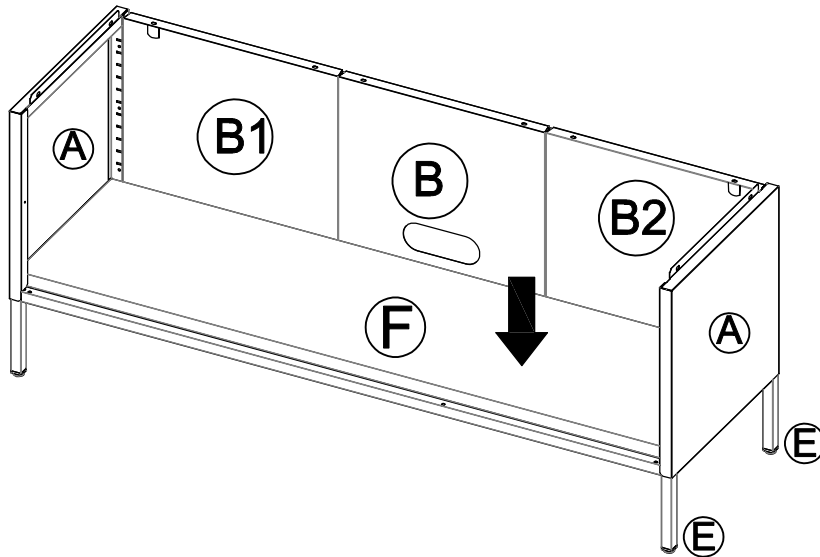
(2) - Attach ⑧ to (E) as below shown.



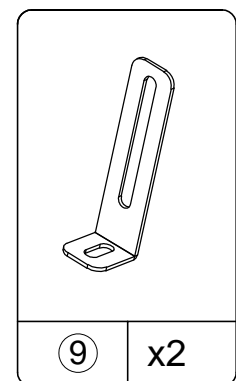
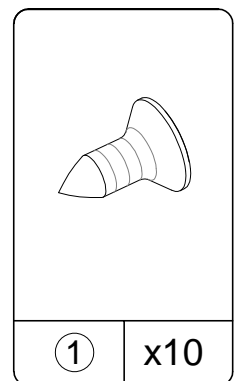
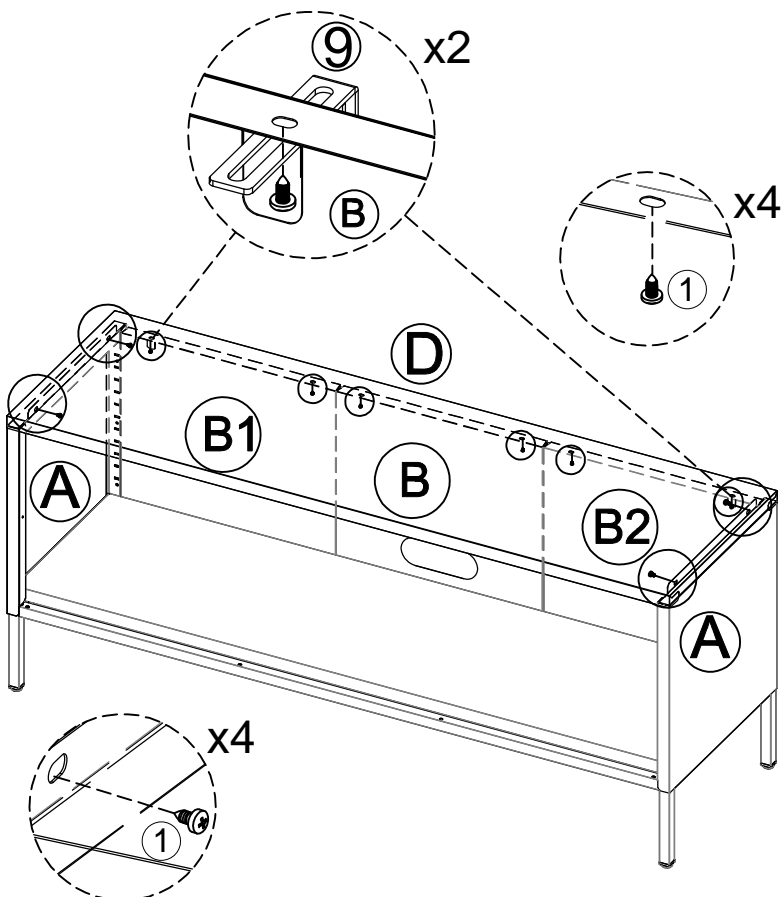
(3) - Attach (B) to (A) & (E) as below shown.



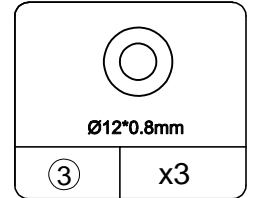
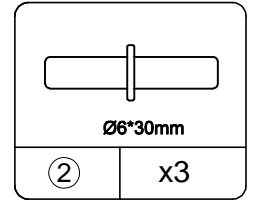
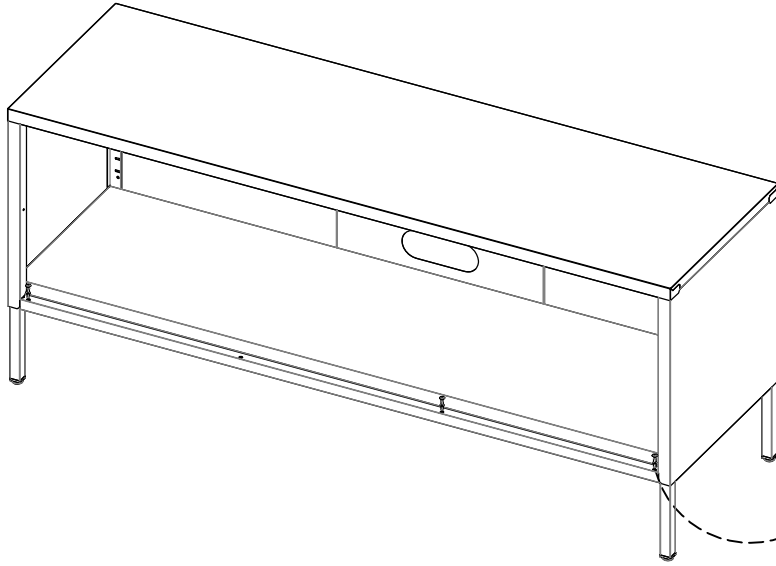
(4) - Attach (F) to (A) & (B) & (E) as below shown.



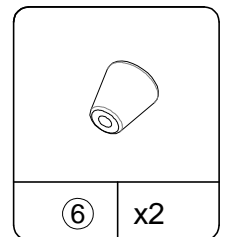
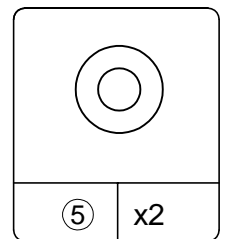
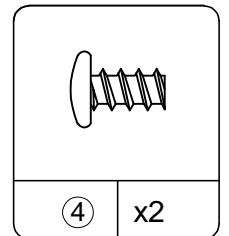
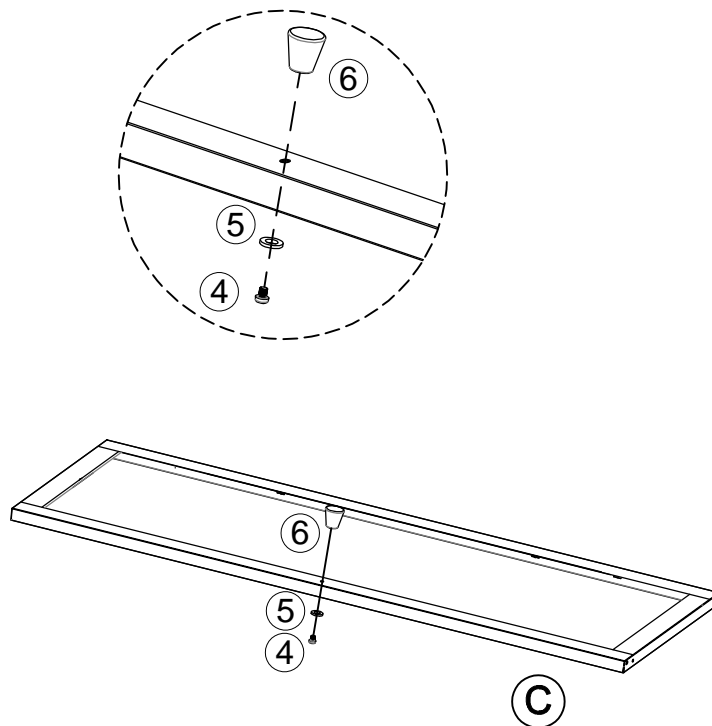
(5) - Attach (D) to (A) as below shown.



(6) - Attach (2) & (3) to pre-assembled unit as below shown.

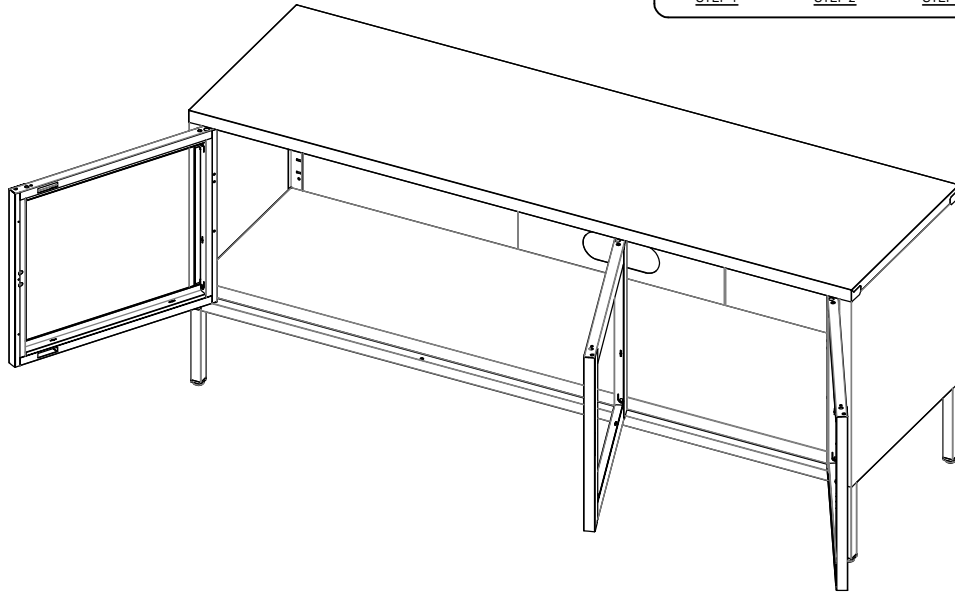
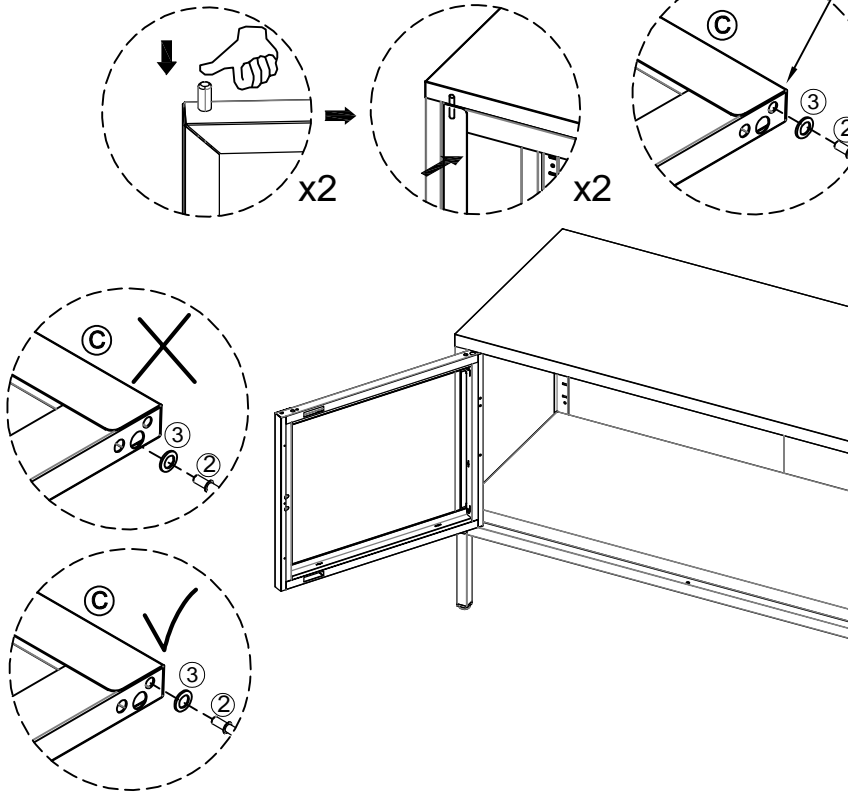
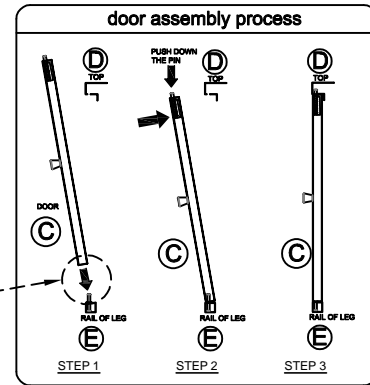


(7) - Attach (6) to (C) as below shown.

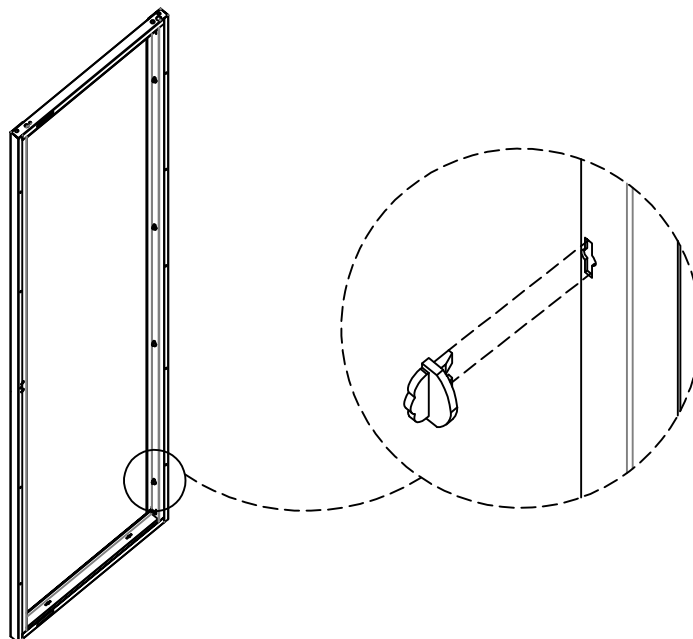


(8) - Attach (C) to pre-assembled unit as below shown.

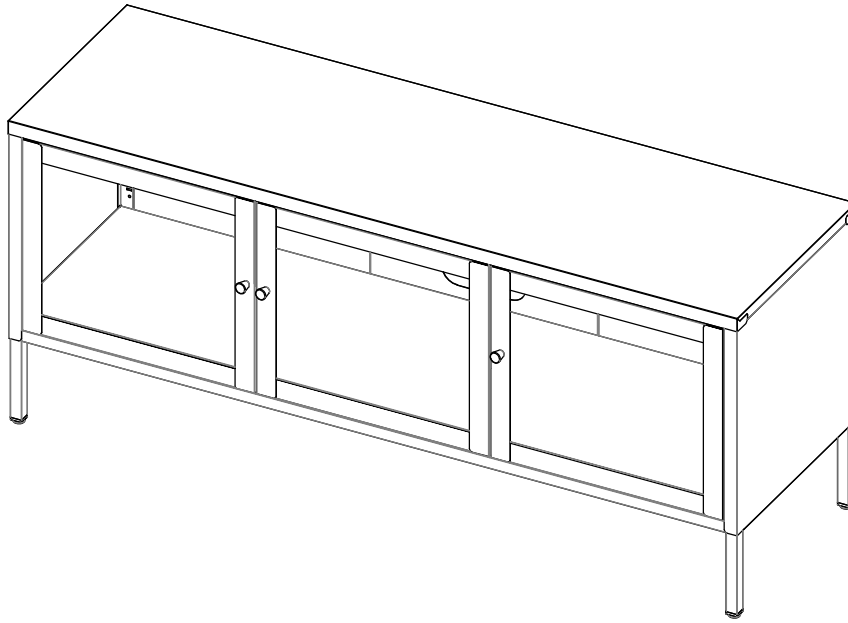
Make sure to use the hole which is nearest to side panel for inserting pin(2) otherwise will affect door assembling.



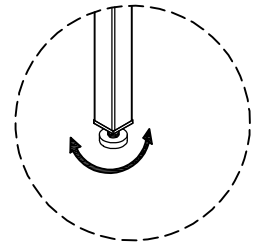
spare parts of glass buckle



(9)



Gaps may appear between the top of the doors and the frame if the item is not on level ground; use the plastic foot cover to level.



(10)

