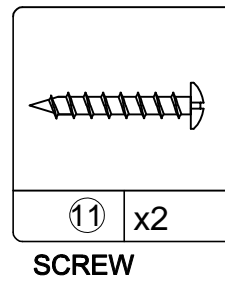
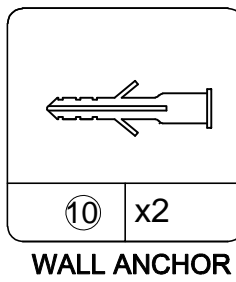
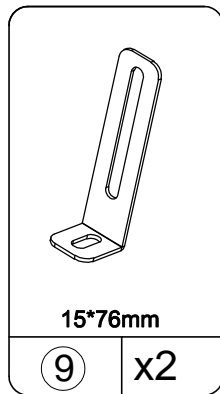
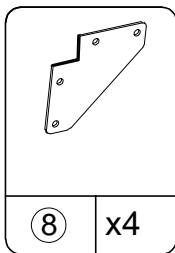
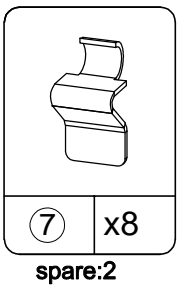
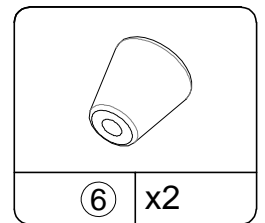
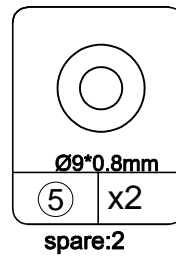
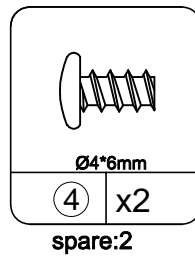
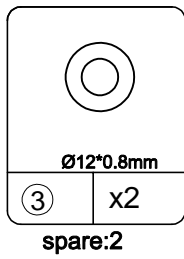
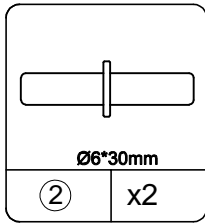
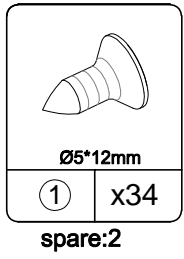
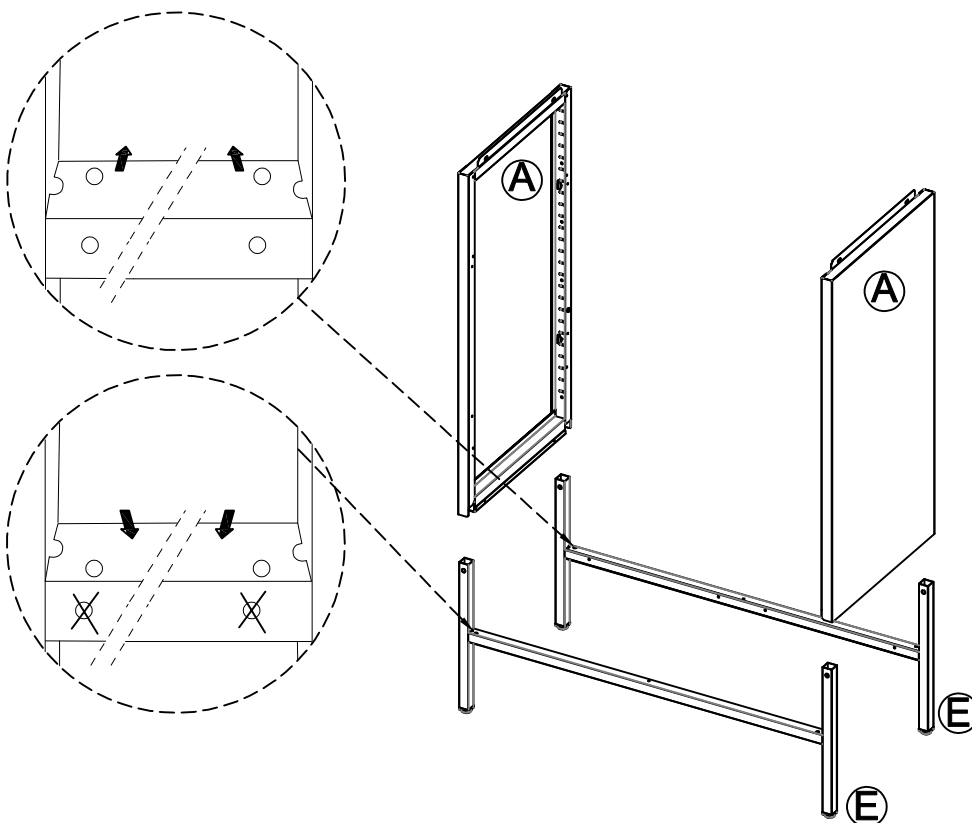


Hardware	Ctn No.	1
----------	---------	---

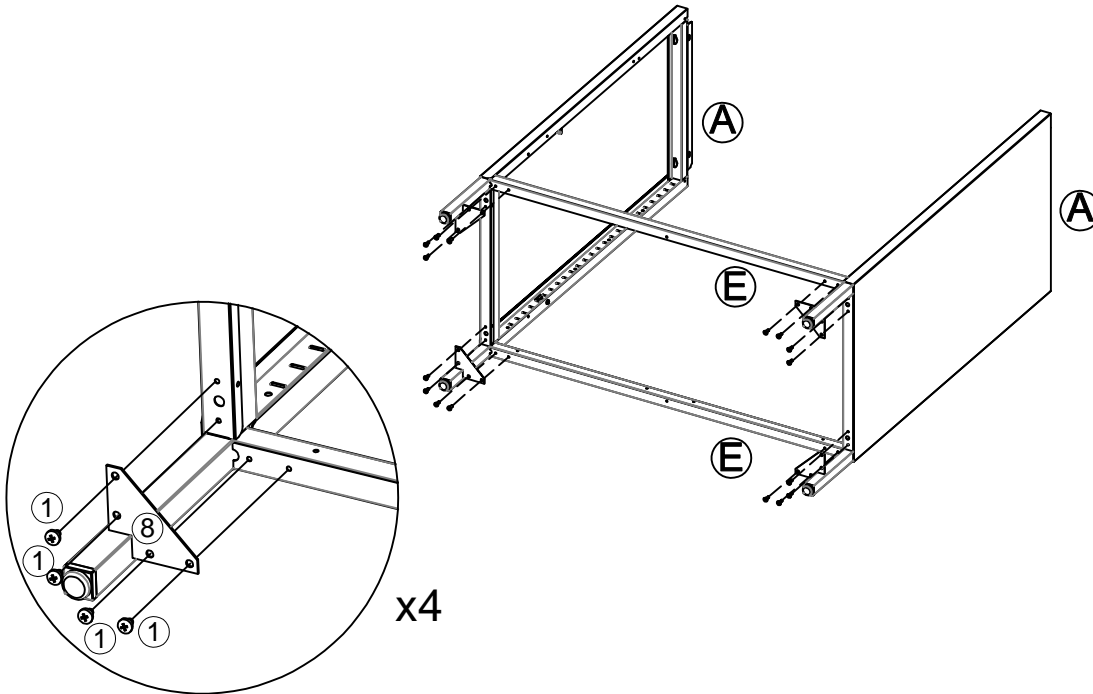
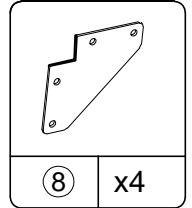
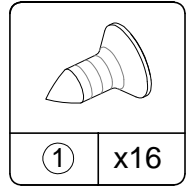
No.	Size	Qty
A	918x350x24mm	2
B1	890x430x23mm	1
B2	890x442x23mm	1
C1	871x423.5x20mm	1
C2	871x423.5x20mm	1
D	901x351.5x38mm	1
E	380x897x20mm	2
F	896x301x25mm	1
G	896x300x20mm	2



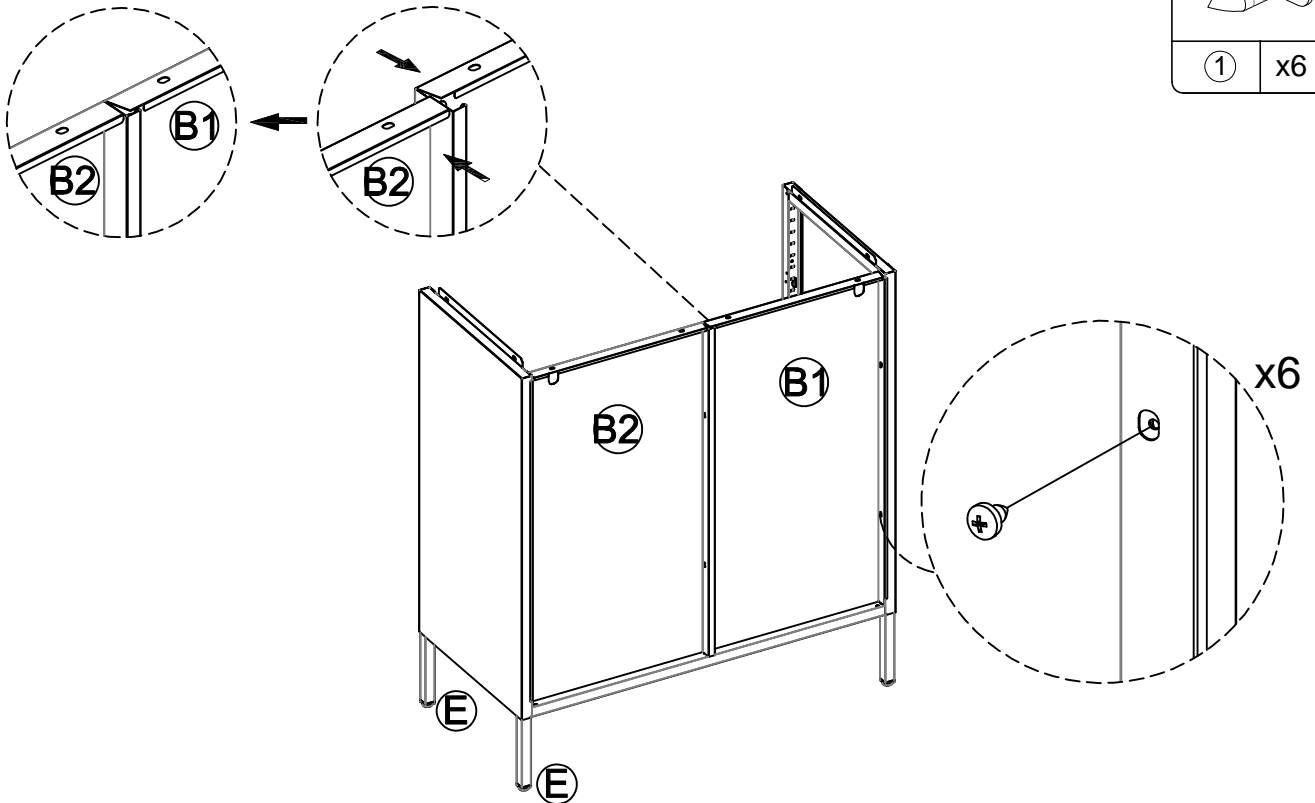
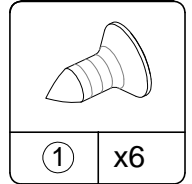
(1) - Attach (A) to (E) as below shown.



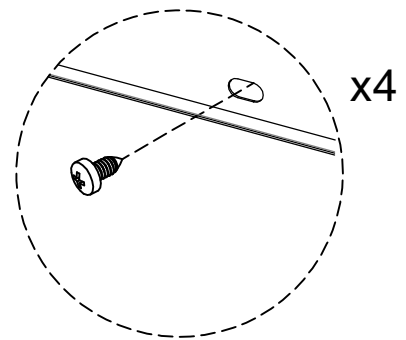
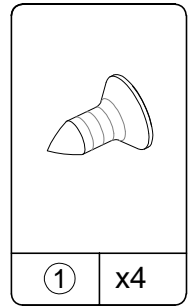
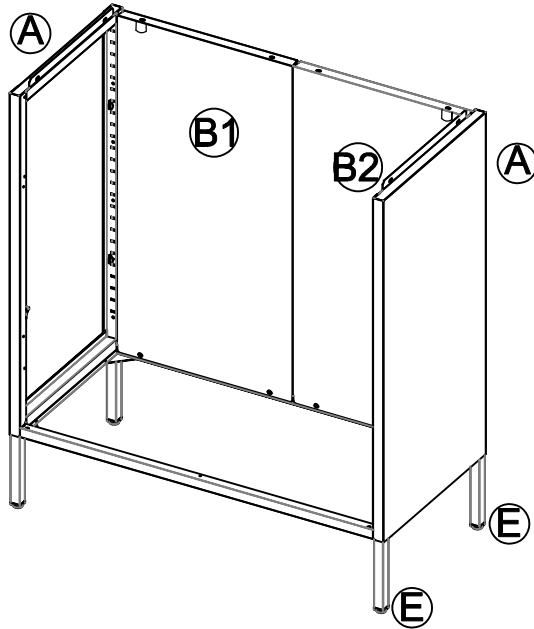
(2) - Attach ⑧ to (A)&(E) as below shown.



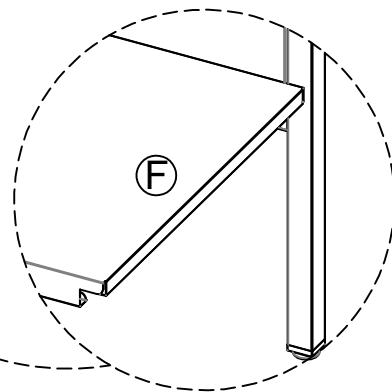
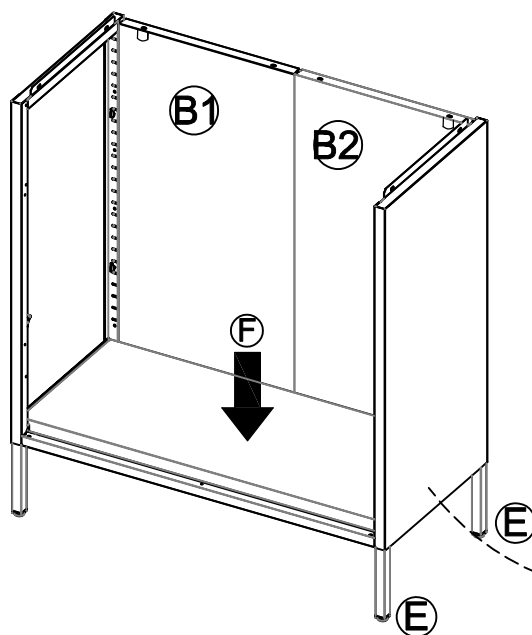
(3) - Attach (B1) & (B2) to (A) as below shown.



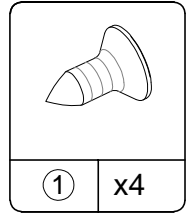
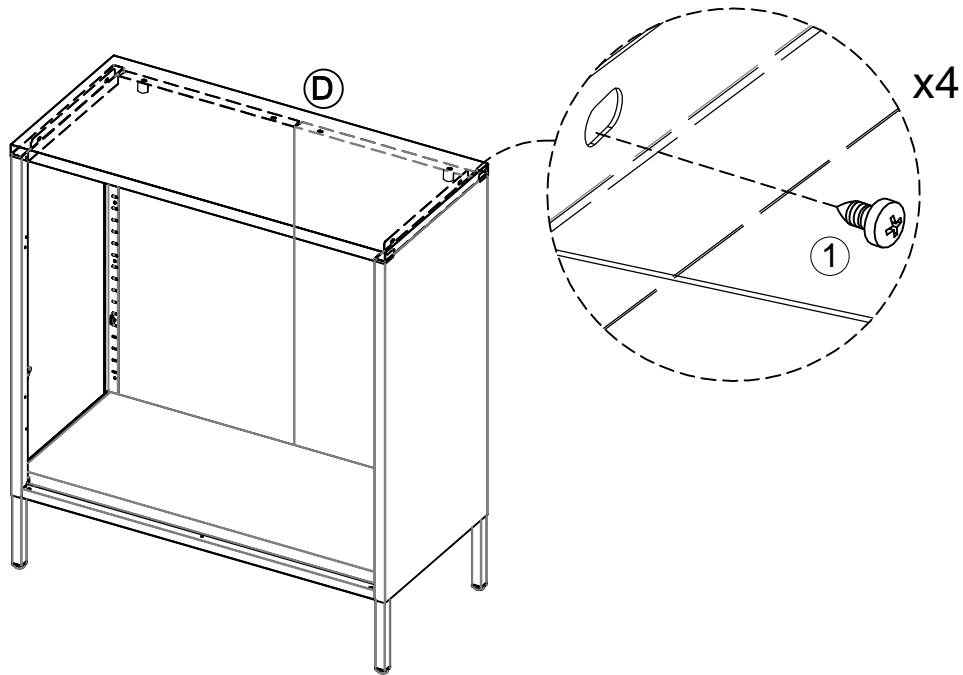
(4) - Attach (B) to (A) & (E) as below shown.



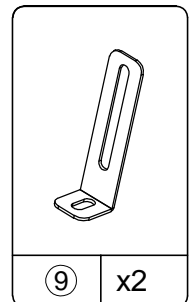
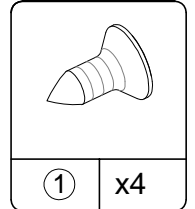
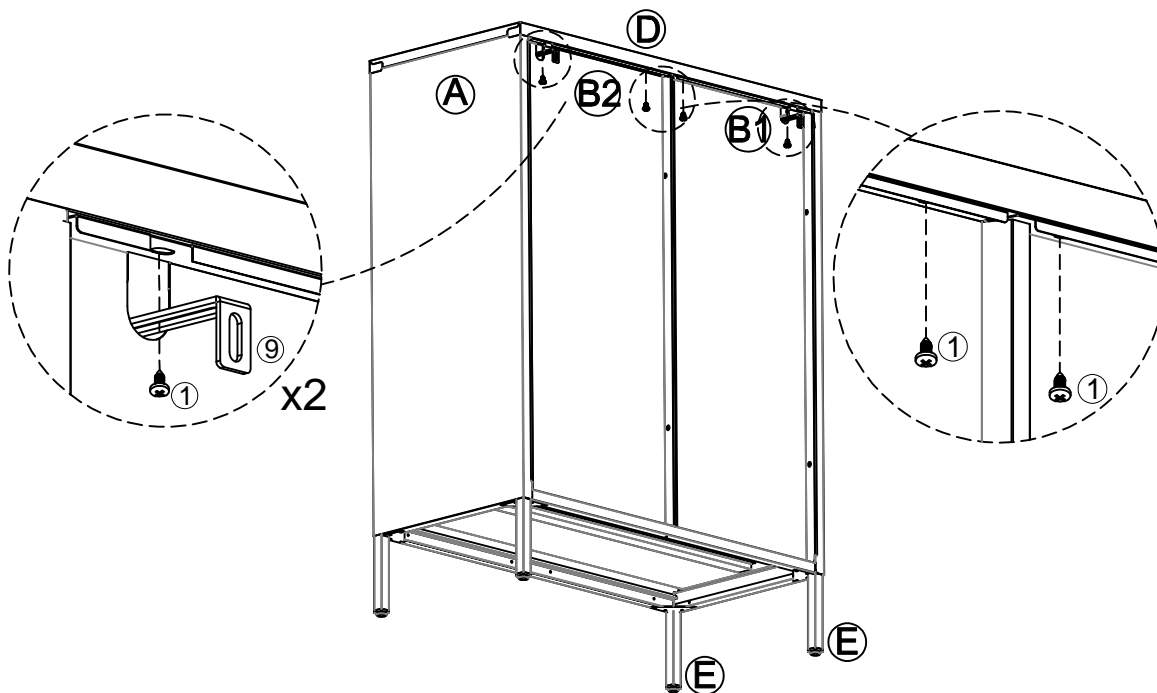
(5) - Attach (F) to (A) & (B) & (E) as below shown.



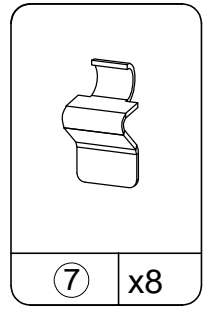
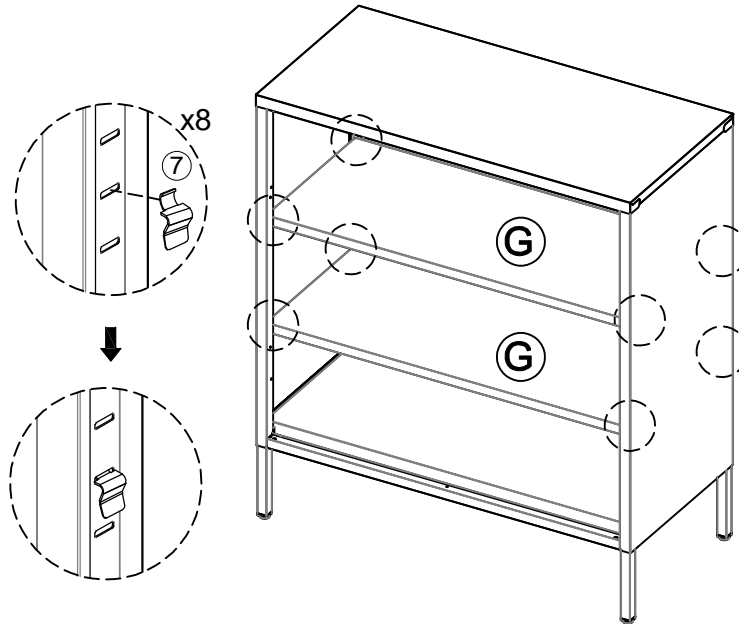
(6) - Attach (D) to (A) as below shown.



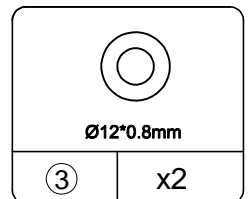
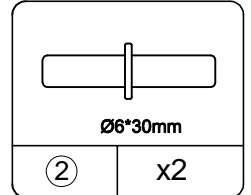
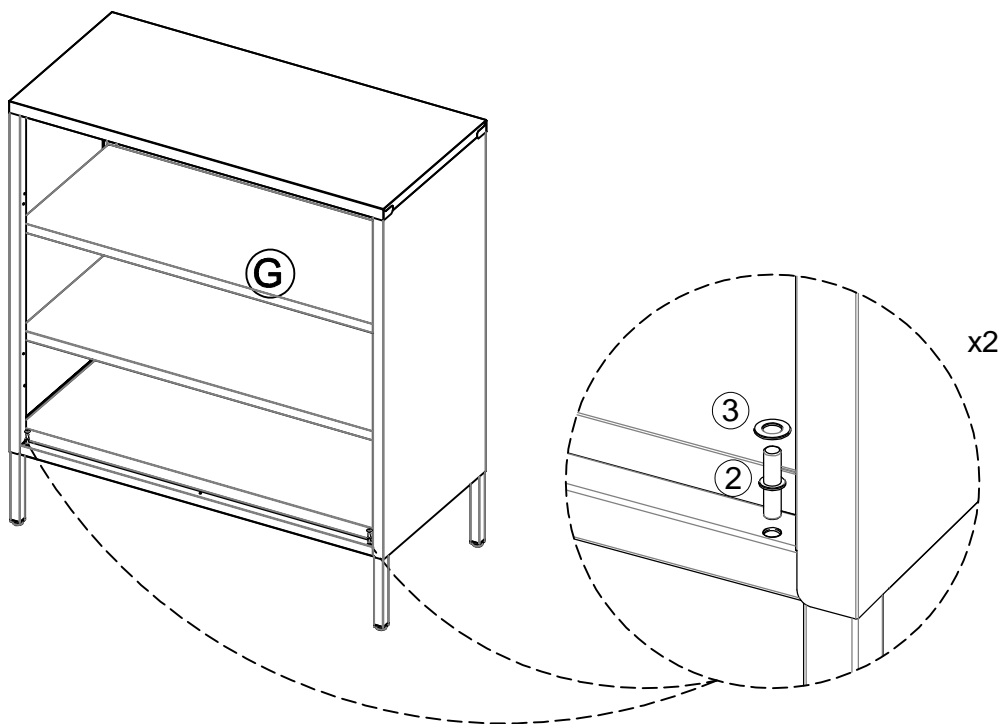
(7) - Attach (B) & (9) to (D) as below shown.



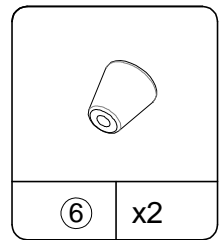
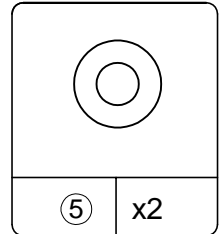
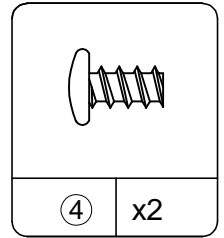
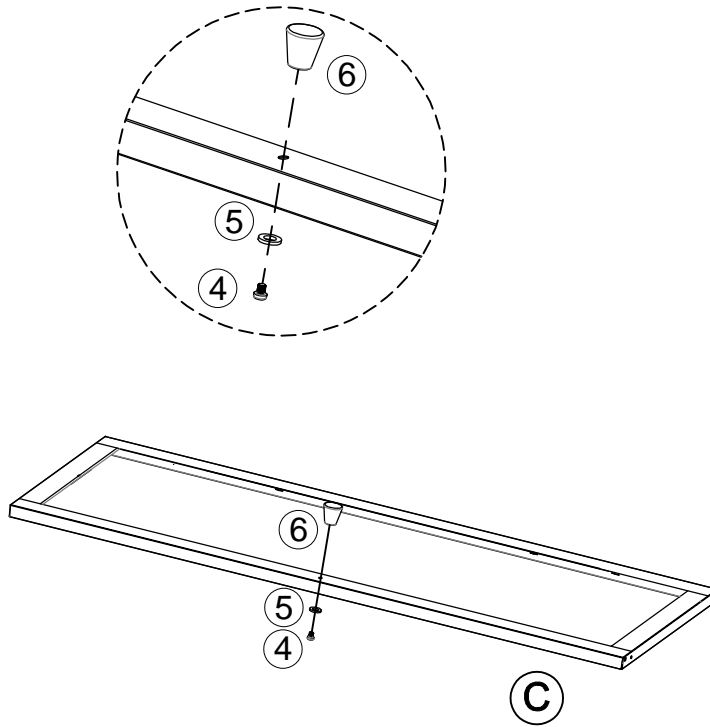
(8) - Attach (G) to pre-assembled unit as below shown.



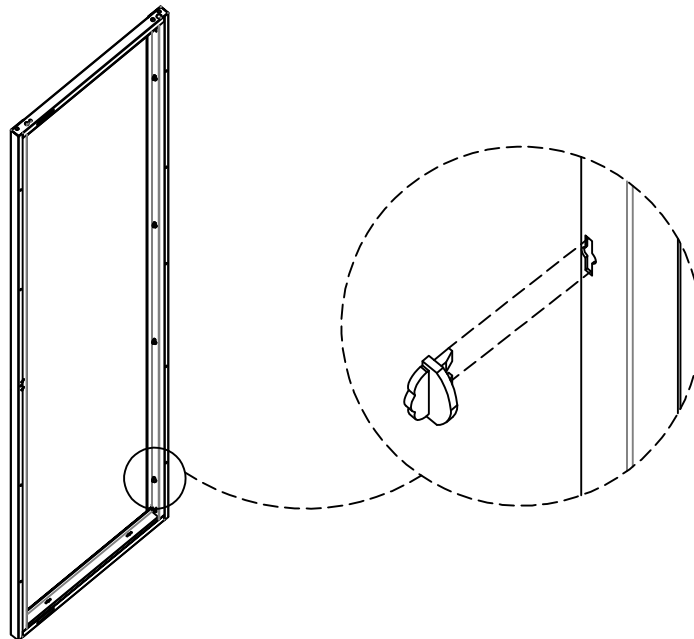
(9) - Attach (2) & (3) to pre-assembled unit as below shown.



(10)- Attach (6) to (C) as below shown.

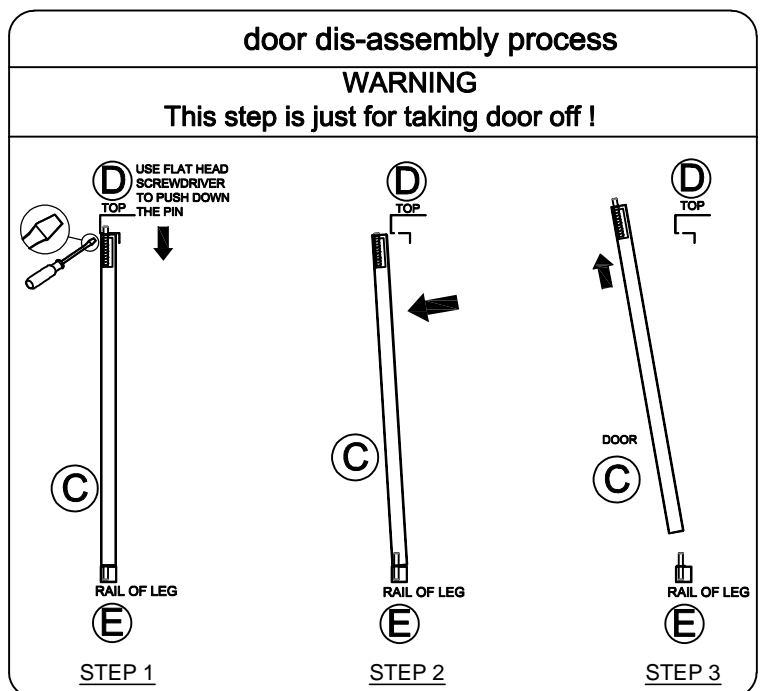
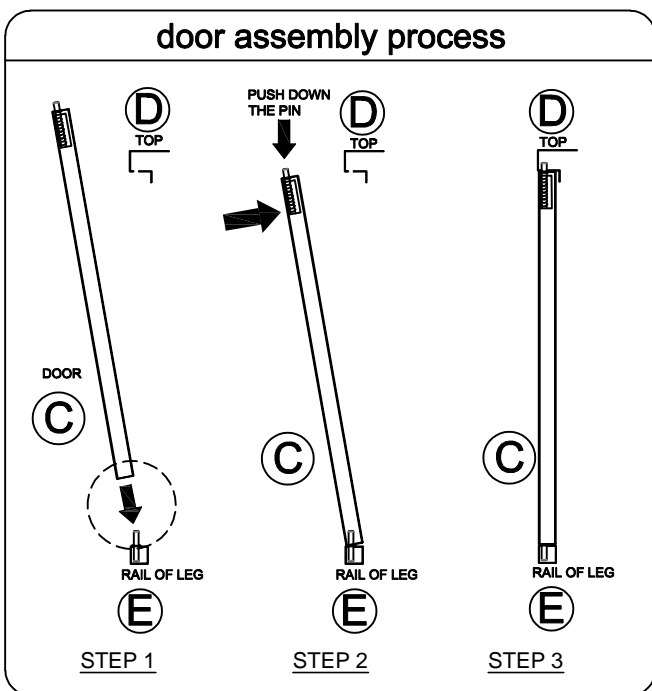
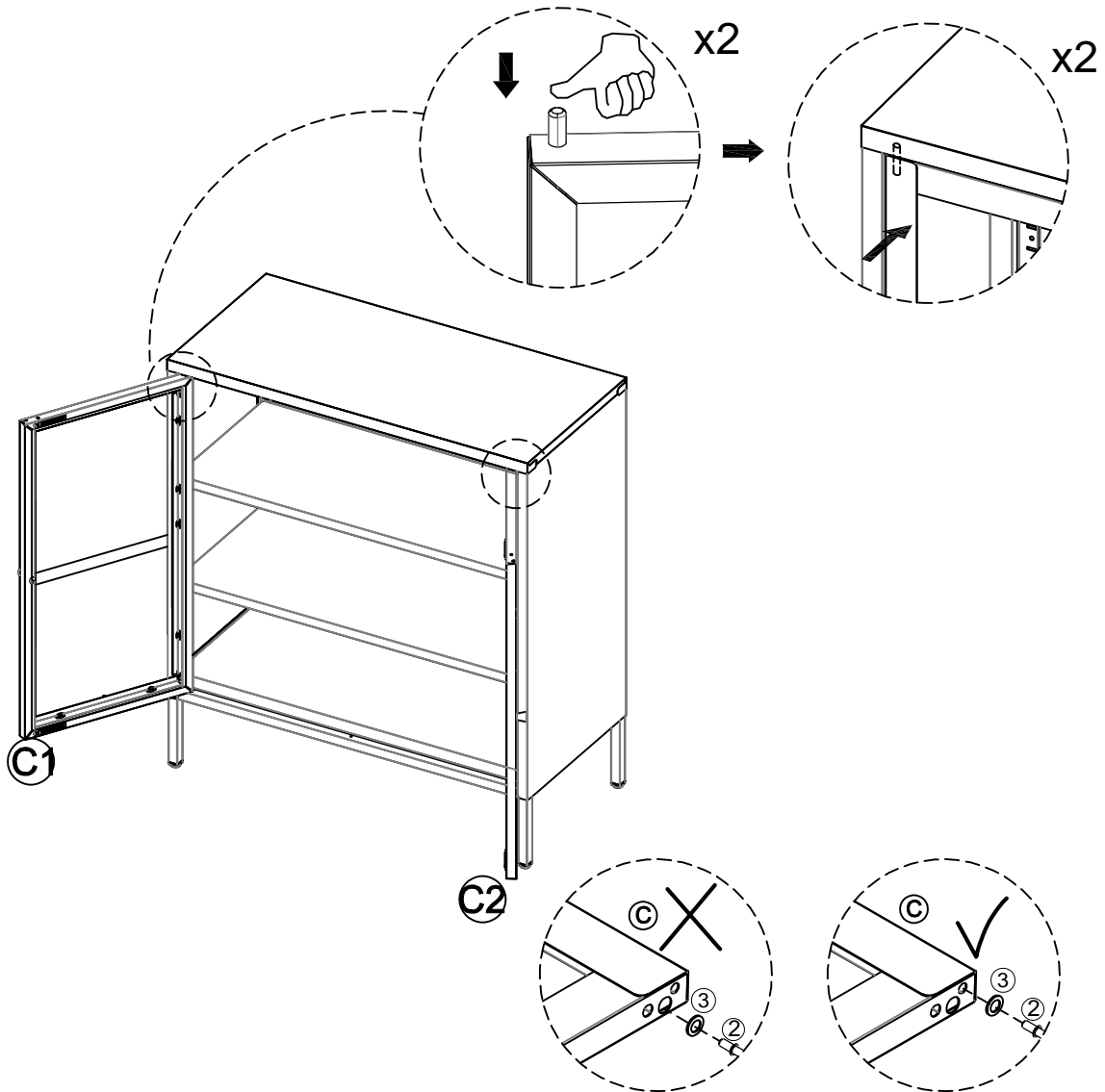


spare parts of glass buckle

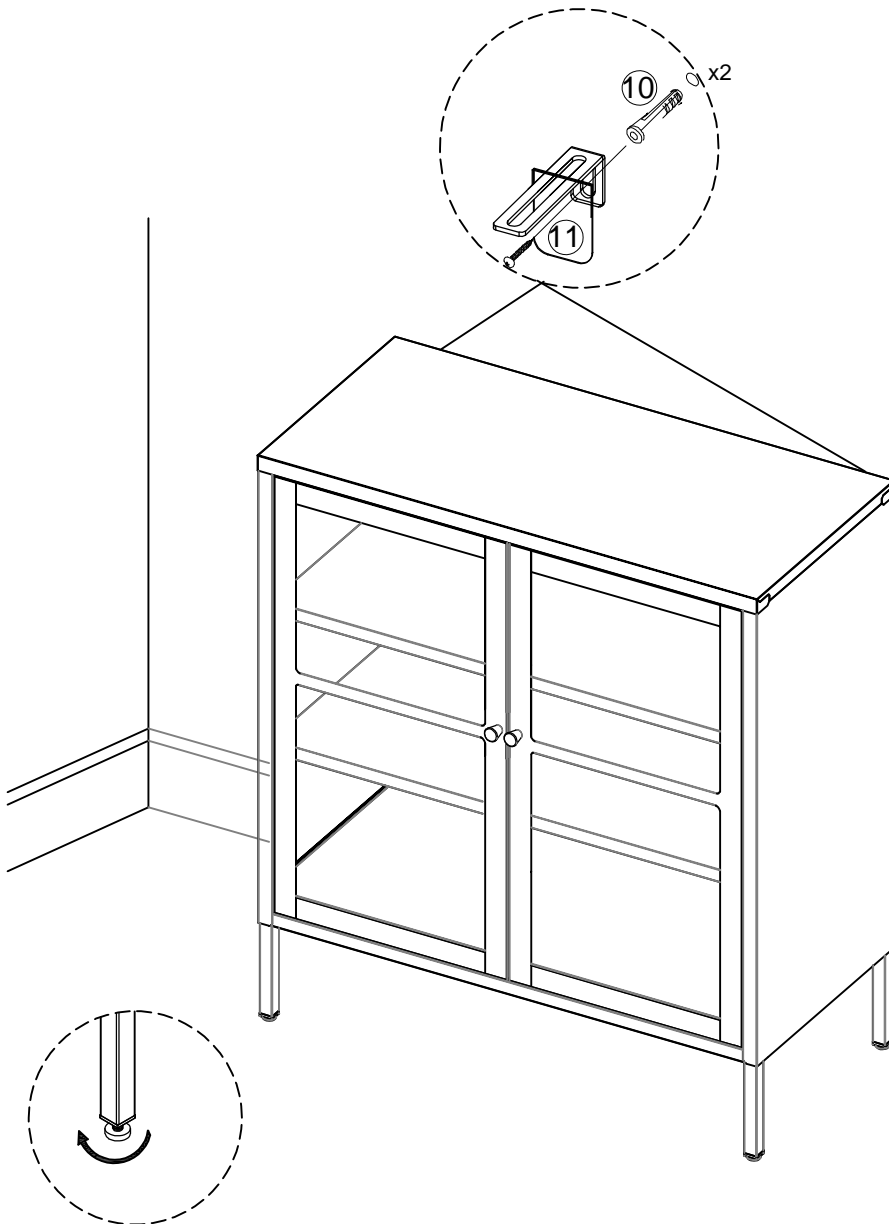
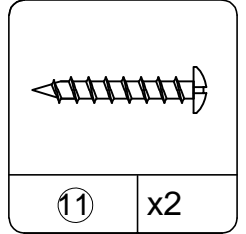
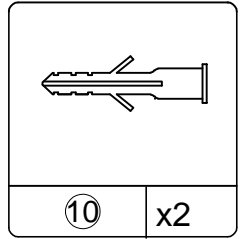




(11) - Attach (C) to pre-assembled unit as below shown.



(12)



Gaps may appear between the top of the doors and the frame if the item is not on level ground; use the plastic foot cover to level.